

## 50VL-K

# Comfort™ 13.4 SEER2 Single-Packaged Air Conditioner System with Puron® (R-410A) Refrigerant Single Phase 2-5 Nominal Tons (Sizes 24-60) Three Phase 3-5 Nominal Tons (Sizes 36-60)



Turn to the experts

## Product Data

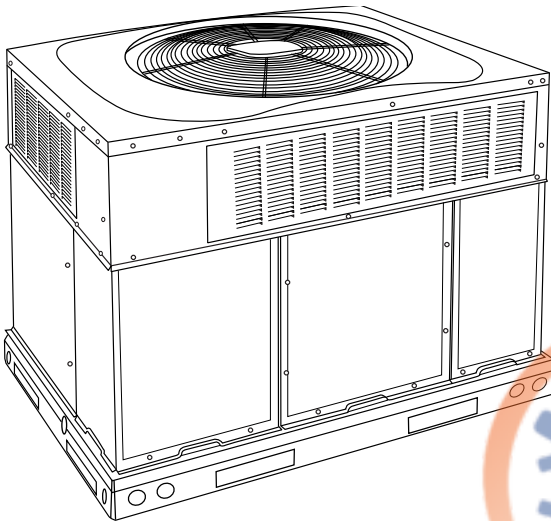


Fig. 1 – Unit 50VL

A09033

Single-Packaged Products with Energy-Saving Features and Puron® refrigerant.

- 13.4 SEER2 / 11.05 EER2
- ECM Motor-Standard
- Low Sound Levels
- Louver Condenser Coil Guard-Standard
- Cabinet air leakage of 2.0% or less at .5 in. W.C. when tested in accordance with ASHRAE standard 193. (Low leak FIOP models only.)

### Features/Benefits

One-piece cooling unit with optional electric heater, low sound levels, easy installation, low maintenance, and dependable performance.

Puron is Carrier's unique refrigerant designed to be environmentally balanced. Puron is a HFC refrigerant which does not contain chlorine that can harm the ozone layer. Puron refrigerant is in service in millions of systems proving highly reliable and is non-ozone depleting.

#### Easy Installation

Factory-assembled package is a compact, fully self-contained, electric cooling unit that is prewired, pre-piped, and pre-charged for minimum installation expense. These units are available in a variety of standard cooling sizes with voltage options to meet residential and light commercial requirements. Units are lightweight and install easily on a rooftop or at ground level. The high tech composite base eliminates rust problems associated with ground level applications.

#### Innovative Unit Base Design

On the inside a high-tech composite material will not rust and incorporates a sloped drain pan which improves drainage and helps inhibit mold, algae and bacterial growth. On the outside metal base rails provide added stability as well as easier handling and rigging.

#### Convertible Duct Configuration

Unit is designed for use in either downflow or horizontal applications. Each unit is converted from horizontal to downflow and includes horizontal duct covers. Downflow operation is provided in the field to allow vertical ductwork connections. The basepan seals on the bottom openings to ensure a positive seal in the vertical airflow mode.

**Efficient operation high-efficiency design** offers SEER2 (Seasonal Energy Efficiency Ratios) of 13.4. (See page 3.)

#### Durable, Dependable Components

**ECM motor** is standard on all models.

**Direct-drive PSC (Permanent Split Capacitor) condenser-fan motors** are designed to help reduce energy consumption and provide for cooling operation down to 40°F (4.4°C) outdoor temperature. Motormaster II low ambient kit is available as a field-installed accessory.

**Refrigerant system** is designed to provide dependability. Liquid filter driers are used to promote clean, unrestricted operation. Each unit leaves the factory with a full refrigerant charge. Refrigerant service connections make checking operating pressures easier.

**High Pressure Switch** provide added reliability for the compressor.

**Indoor and outdoor coils** are computer-designed for optimum heat transfer and efficiency. The indoor coil is fabricated from aluminum tube and aluminum fins and is located inside the unit for protection against damage. The outdoor coil is internally mounted on the top tier of the unit.

**Low sound ratings** ensure a quiet indoor and outdoor environment with sound ratings as low as 70.7 dBA. (See page 3.)

**Easy to service cabinets** provide easy 3 panel accessibility to serviceable components during maintenance and installation. The basepan with integrated drain pan provides easy ground level installation with a mounting pad. A nesting feature ensures a positive basepan to roof curb seal when the unit is roof mounted. A convenient 3/4-in. (19.05 mm) wide perimeter flange makes frame mounting on a rooftop easy.

**Standard horizontal metal duct covers** with insulation come with the unit and cover the horizontal duct openings. These can be left in place if the units are converted to downflow.

**Cabinets** are constructed of heavyduty, phosphated, zinc-coated prepainted steel capable of withstanding 500 hours in salt spray. Interior surfaces of the evaporator/heat exchanger compartment are insulated with cleanable semi-rigid insulation board, which keeps the conditioned air from being affected by the outdoor ambient temperature and provides improved indoor air quality. (Conforms to American Society of Heating, Refrigeration and Air Conditioning Engineers No. 62P.) The sloped drain pan minimizes standing water in the drain. An external drain is provided.

### Limited Warranty\*

- Default 5 year parts limited warranty
- 10 year parts limited warranty with timely registration. Equipment must be registered within 90 days of original installation, except in jurisdictions where warranty benefits cannot be conditioned on registration.
- \* Applies to original purchaser/homeowner and 5 years to subsequent owners.

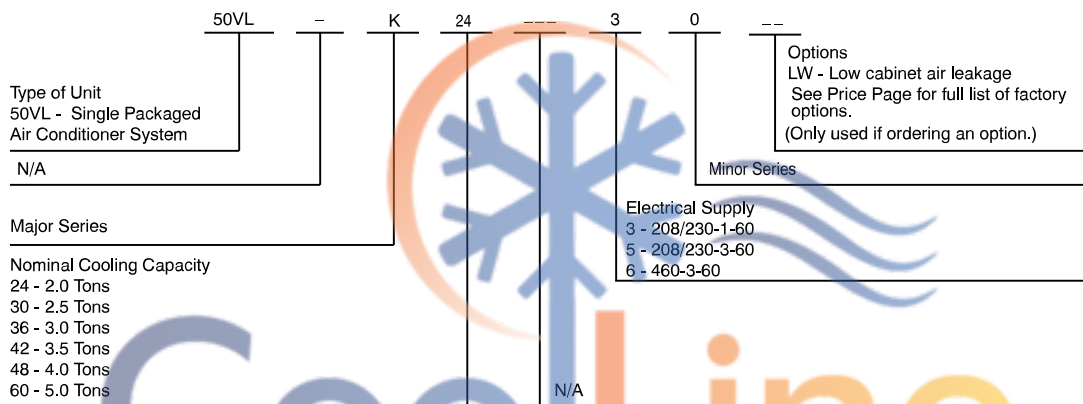
- Default 5-year on compressor limited warranty
  - -10-year on compressor limited warranty with timely registration. Equipment must be registered within 90 days of original installation, except in jurisdictions where warranty benefits cannot be conditioned on registration.
  - \* Applies to original purchaser/homeowner and 5 years to subsequent owners.
- See warranty certificate for complete details and restrictions

### Table of Contents

Features/Benefits ..... 1  
 Model Number Nomenclature ..... 2  
 AHRI\* Capacities..... 3  
 Unit Dimensions ..... 8  
 Roof Curb Accessory - 24-60 ..... 10  
 Selection Procedure (with example)..... 11  
 Performance Data ..... 12  
 Typical Piping and Wiring ..... 18  
 Application Data..... 18

Connection Wiring Schematic 208/230-1-60..... 21  
 Ladder Wiring Schematic 208/230-1-60 ..... 22  
 Connection Wiring Schematic 208/230-3-60 ..... 23  
 Ladder Wiring Schematic 208/230-3-60..... 24  
 Connection Wiring Schematic 460-3-60 ..... 25  
 Ladder Wiring Schematic 460-3-60..... 26  
 Controls..... 27  
 Guide Specifications..... 28

### Model Number Nomenclature



Use of the AHRI Certified TM Mark indicates a manufacturer's participation in the program. For verification of certification for individual products, go to [www.ahridirectory.org](http://www.ahridirectory.org).

SAP ORDERING NO.	NOMINAL COOLING CAPACITY (Btu/h)	VOLTS-PHASE (60 HZ)	APPROX SHIP WT (LB)
50VL-K24---3**	24,000	208/230-1	307
50VL-K30---3**	30,000	208/230-1	316
50VL-K36---3**	36,000	208/230-1	354
50VL-K36---5**	36,000	208/230-3	354
50VL-K36---6**	36,000	460-3	354
50VL-K42---3**	42,000	208/230-1	388
50VL-K42---5**	42,000	208/230-3	388
50VL-K42---6**	42,000	460-3	388
50VL-K48---3**	48,000	208/230-1	437
50VL-K48---5**	48,000	208/230-3	437
50VL-K48---6**	48,000	460-3	437
50VL-K60---3**	60,000	208/230-1	497
50VL-K60---5**	60,000	208/230-3	497
50VL-K60---6**	60,000	460-3	497

\*\* LW = Low cabinet air leakage option available.

**AHRI\* Capacities****Cooling Capacities and Efficiencies**

UNIT SIZE	NOMINAL TONS	STANDARD CFM	COOLING CAPACITY	EER2	SEER2
24	2	750	22800	11.05	13.4
30	2.5	950	28000	11.05	13.4
36	3	1150	33800	11.05	13.4
42	3.5	1350	39000	11.05	13.4
48	4	1600	47000	11.05	13.4
60	5	1750	56000	11.05	13.4

## LEGEND

dB-Sound Levels (decibels)

db—Dry Bulb

SEER—Seasonal Energy Efficiency Ratio

wb—Wet Bulb

COP-Coefficient of Performance

\* Air Conditioning, Heating &amp; Refrigeration Institute.

\*\*At "A" conditions-80°F (26.7°C) indoor db/67°F (19.4°C) indoor wb &amp; 95°F (35°C) outdoor db.

† Rated in accordance with U.S. Government DOE Department of Energy) test procedures and/or AHRI Standards 210/240.

Notes:

1. Ratings are net values, reflecting the effects of circulating fan heat.

Ratings are based on:

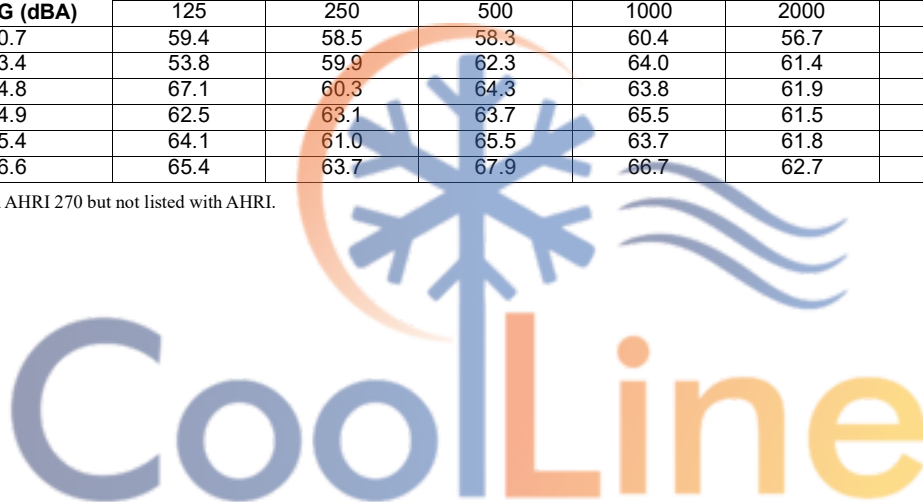
Cooling Standard: 80°F (26.7°C) db, 67°F wb (19.4°C) indoor entering-air temperature and 95°F db (35°C) outdoor entering-air temperature.

2. Before purchasing this appliance, read important energy cost and efficiency information available from your retailer.

**A-Weighted Sound Power Level**

UNIT SIZE	STANDARD RATING (dBA)	TYPICAL OCTAVE BAND SPECTRUM (dBA without tone adjustment)						
		125	250	500	1000	2000	4000	8000
24	70.7	59.4	58.5	58.3	60.4	56.7	52.6	46.9
30	73.4	53.8	59.9	62.3	64.0	61.4	53.8	45.6
36	74.8	67.1	60.3	64.3	63.8	61.9	57.1	50.8
42	74.9	62.5	63.1	63.7	65.5	61.5	57.5	53.5
48	75.4	64.1	61.0	65.5	63.7	61.8	60.1	56.1
60	76.6	65.4	63.7	67.9	66.7	62.7	58.9	55.6

NOTE: Tested in compliance with AHRI 270 but not listed with AHRI.

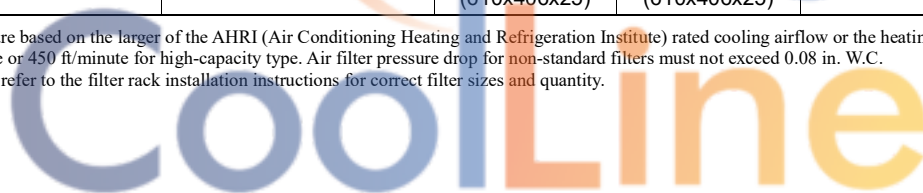


## Physical Data-Unit

UNIT SIZE	24	30	36	42	48	60
NOMINAL CAPACITY (ton)	2	2-1/2	3	3-1/2	4	5
SHIPPING WEIGHT lb.	307	316	354	388	437	451
SHIPPING WEIGHT (kg)	139	143	161	176	198	205
COMPRESSORS	Scroll					
Quantity	1					
REFRIGERANT (R-410A)						
Quantity lb	6.4	6.0	5.75	6.0	9.0	10.75
Quantity (kg)	2.9	2.7	2.6	2.7	4.1	4.9
REFRIGERANT METERING DEVICE	Orifice					
ORIFICE ID in./mm	.059 / 1.5	.063 / 1.60	.070 / 1.78	.073 / 1.85	.080 / 2.03	N/A
OUTDOOR COIL						
Rows...Fins/in.	1...21	1...21	1...21	1...21	1...21	2...21
Face Area (sq ft)	11.9	13.6	13.6	13.6	23.3	17.5
OUTDOOR FAN						
Nominal Cfm	2500	3200	3500	3500	3500	3500
Diameter in.	24	24	26	26	26	26
Diameter (mm)	609.6	609.6	660.4	660.4	660.4	660.4
Motor Hp (Rpm)	1/12 (810)	1/5 (810)	1/5 (810)	1/5 (810)	1/5 (810)	1/5 (810)
INDOOR COIL						
Rows...Fins/in.	3...17	3...17	2...17	3...17	3...17	3...17
Face Area (sq ft)	3.7	3.7	5.6	4.7	5.6	5.6
INDOOR BLOWER						
Nominal Cooling Airflow (Cfm)	750	950	1150	1350	1600	1750
Size in.	10x10	10x10	11x10	11x10	11x10	11x10
Size (mm.)	254x254	254x254	279.4x254	279.4x254	279.4x254	279.4x254
Motor HP (RPM)	1/2 (1050)	1/2 (1050)	1/2(1000)	3/4 (1075)	1.0 (1075)	1.0 (1040)
HIGH-PRESSURE SWITCH (psig) Cut-out Reset (Auto)	650 +/- 15 420 +/- 25					
LOSS-OF-CHARGE / LOW-PRESSURE SWITCH (psig) cut-out Reset (auto)	N/A					
RETURN-AIR FILTERS* †						
Throwaway Size in.	2 each 20x12x1		1 each 24x18x1	1 each 24x14 x1		1 each 24x18x1
Throwaway Size (mm)	(508x305x25)		(610x457x25) 24x16x1 (610x406x25)	(610x356x25) 24x16x1 (610x406x25)		(610x457x25) 24x16x1 (610x406x25)

\*. Required filter sizes shown are based on the larger of the AHRI (Air Conditioning Heating and Refrigeration Institute) rated cooling airflow or the heating airflow velocity of 300 to 350 ft/minute for throwaway type or 450 ft/minute for high-capacity type. Air filter pressure drop for non-standard filters must not exceed 0.08 in. W.C.

†. If using accessory filter rack refer to the filter rack installation instructions for correct filter sizes and quantity.



**Electric Heat Pressure Drop Tables (IN. W.C.)****Small Cabinet: 24-30**

STATIC	CFM											
	500	600	700	800	900	1000	1100	1200	1300	1400	1500	1600
5 kW	0.00	0.00	0.00	0.00	0.00	0.00	0.00	0.00	0.02	0.04	0.06	0.07
10 kW	0.00	0.00	0.00	0.00	0.00	0.02	0.04	0.06	0.07	0.09	0.10	0.11
15 kW	0.00	0.00	0.00	0.02	0.04	0.06	0.08	0.10	0.12	0.14	0.16	0.18
20 kW	0.00	0.00	0.02	0.04	0.06	0.08	0.09	0.11	0.13	0.15	0.17	0.19

**Large Cabinet: 36-60**

STATIC	CFM														
	1100	1200	1300	1400	1500	1600	1700	1800	1900	2000	2100	2200	2300	2400	2500
5 kW	0.00	0.00	0.00	0.01	0.02	0.03	0.04	0.05	0.06	0.07	0.08	0.09	0.10	0.11	0.12
10 kW	0.00	0.00	0.01	0.02	0.03	0.04	0.05	0.06	0.07	0.08	0.09	0.10	0.11	0.12	0.13
15 kW	0.00	0.02	0.03	0.04	0.05	0.06	0.07	0.08	0.09	0.10	0.11	0.12	0.13	0.14	0.15
20 kW	0.02	0.03	0.04	0.05	0.06	0.07	0.08	0.09	0.10	0.11	0.12	0.13	0.14	0.15	0.16



## ACCESSORIES

PART NUMBER	DESCRIPTION	USED WITH
CPRFCURB011B00*	Roof Curb, 14-in. High	24 - 30
CPRFCURB013B00	Roof Curb, 14-in. High	36 - 60
CPADCURB001A00†	Adapter curb for use with NPRFCURB006A00 & NPRFCURB007A00	24 - 30
CPADCURB002A00†	Adapter curb for use with NPRFCURB008A00 & NPRFCURB009A00	36 - 60
CPGSKTKIT001A00	Gasket Kit for existing roof curb with new base rail unit	All
CPECOMZR007B00	Dedicated Vertical Economizer - Internal with solid state controller, gear driven, fully modulating damper, spring return actuator, upc to 50% barometric relief, supply and dry bulb outdoor air sensors. Includes filter rack with 1" filters	24 - 30
CPECOMZR008A00		42
CPECOMZR009A00		36, 48, 60
CPECOMZR010A00	Dedicated Horizontal Economizer - Internal with solid state controller, fully modulating damper, spring return actuator, supply and dry bulb outdoor air sensor, and low ambient compressor lockout switch included.	24 - 30
CPECOMZR011A00		42
CPECOMZR012A00	Includes filter rack with 1-inch filters.	36, 48, 60
AXB078ENT‡	Outdoor Enthalpy Control	ALL
CPMANDPR007A00		24 - 30
CPMANDPR008A00	Manual Outside Air Damper - (Includes filter rack and 1" filter, same as CPFILTRK kit)	42
CPMANDPR009A00		36, 48, 60
CPFILTRK007A00		24 - 30
CPFILTRK008A00	Internal Filter Rack	42
CPFILTRK009A00		36, 48, 60
CPCRKHTR008A00	240V Crankcase Heater	24 - 36
CPCRKHTR004A00		42 - 60
CPLOWAMB001A00	Low Ambient Control - enables cooling system to operate down to 0 Deg. F by cycling condenser fan on and off.	ALL
NRTIMEGD001A00	Five Minute Compressor Delay	ALL
PTCSTART002A00	PTC Compressor Start Assist Kit (single phase only)	ALL
CPDUCGFLG002A00	Square to Round Duct Transitions (1 set of 2, use with horizontal duct flanges only)	24 - 48

### ELECTRIC HEATERS (208/230 — SINGLE PHASE — 60 Hz)

	Nominal Capacity (kW)	Fuses	
CPHEATER052B0**	5.0	No	All
CPHEATER064B0**	5.0	Yes	All
CPHEATER069B0**	7.2	No	All
CPHEATER070B0**	7.2	Yes	All
CPHEATER065B0**	10.0	No	24 - 42
CPHEATER050B0**	10.0	Yes	All
CPHEATER051B0**	15.0	Yes	42
CPHEATER066B0**	15.0	Yes	42 - 60
CPHEATER133B0**	15.0	Yes	30
CPHEATER053B0**	20.0	Yes	42
CPHEATER054B0**	20.0	Yes	42 - 60

### ELECTRIC HEATERS (208/230 — THREE PHASE — 60 Hz)

CPHEATER055B0**	5.0	No	36 - 60
CPHEATER056B0**	10.0	No	36 - 60
CPHEATER068B0**	10.0	Yes	36 - 60
CPHEATER057B0**	15.0	No	36 - 60
CPHEATER058B0**	15.0	Yes	36 - 60
CPHEATER059B0**	20.0	Yes	42 - 60

### ELECTRIC HEATERS (460 THREE PHASE — 60 Hz)

CPHEATER061B0**	10.0	No	36 - 60
CPHEATER062B0**	15.0	No	36 - 60
CPHEATER063B0**	20.0	No	42 - 60

\*. CPRFCURB011B00 can be used with 42-60 size units with some overhang.

†. Can also be used when replacing other manufacturer's older generation units that contain a composite base without a metal base rail.

‡. Outdoor enthalpy available as field installed accessory; Filter rack and 1-in. filter, same as CPFILTRK kit.

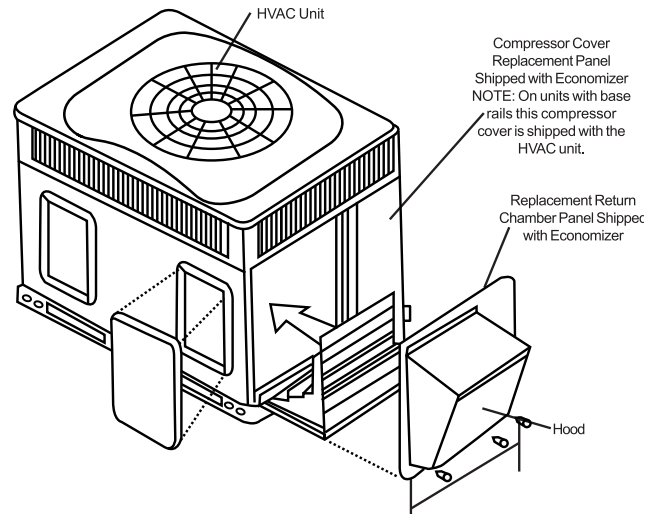
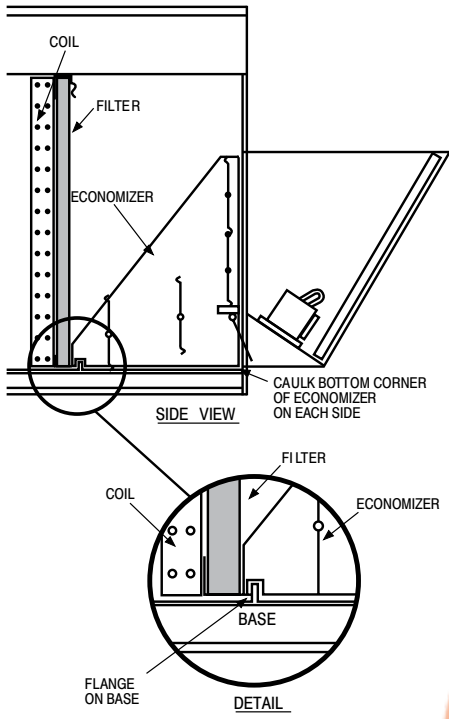
\*\* Denotes digit can be 0, 1 or 2.

Note: If installing an accessory heater, the thermostat must have capability to energize "G" (fan) on a call for "W" (electric heat). TSTAT0406 and TSTAT0408 contain this feature.

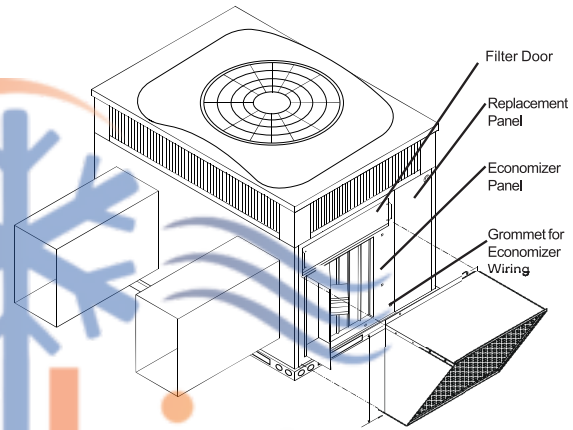
## Minimum Airflow for Safe Electric Heater Operation (CFM)

SIZE	24	30	36	42	48	60
Cfm	800	1000	1200	1400	1600	1750

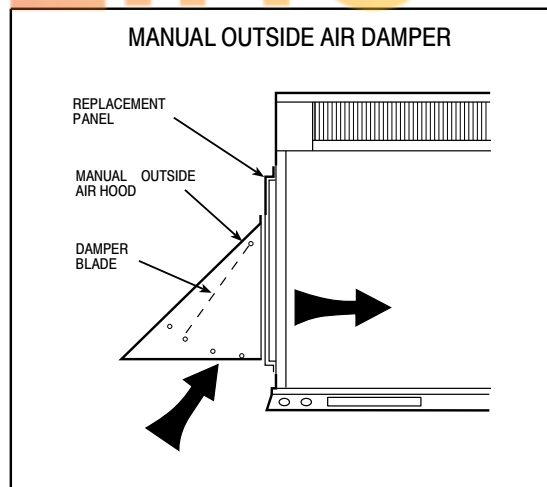
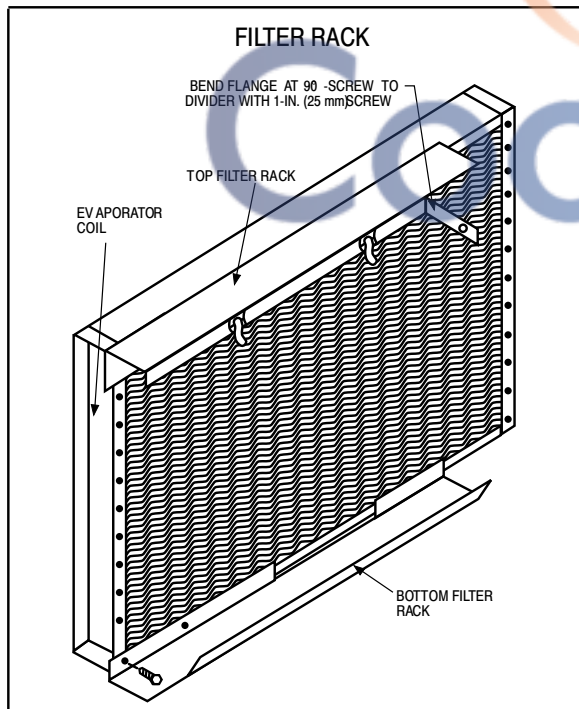
### ECONOMIZER



Vertical Economizer



Horizontal Economizer



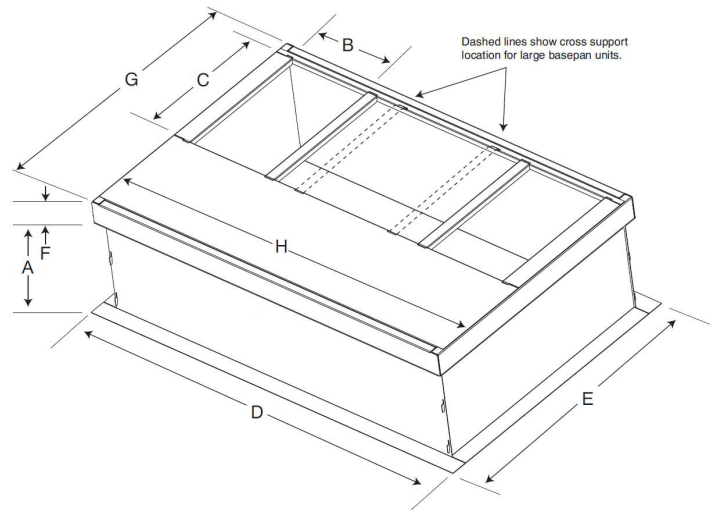
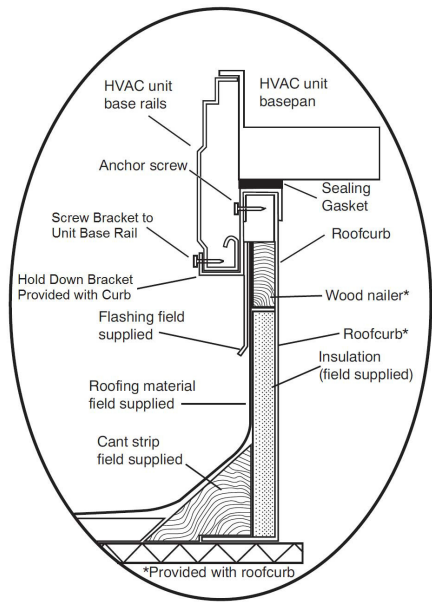
A09375



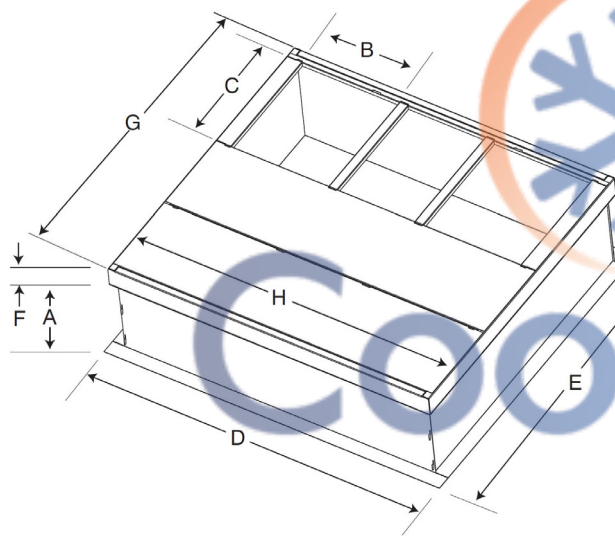




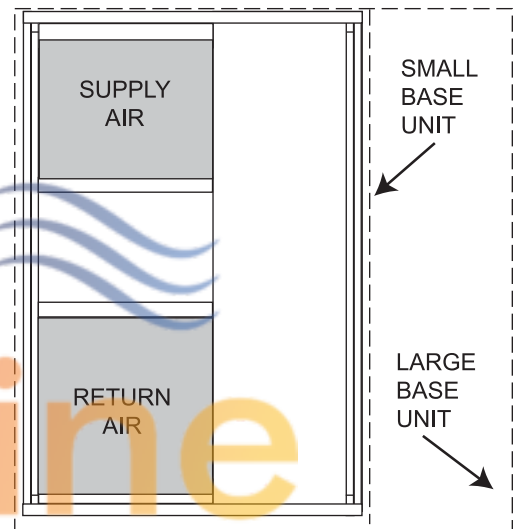
# Roof Curb Accessory - 24-60



SMALL/COMMON CURB



LARGE CURB



UNIT PLACEMENT ON COMMON CURB

SMALL OR LARGE BASE UNIT

UNIT SIZE	CATALOG NUMBER	A IN. (mm)	B (small/common base) IN. (mm)*	B (large base) IN. (mm)*	C IN. (mm)	D IN. (mm)	E IN. (mm)	F IN. (mm)	G IN. (mm)	H IN. (mm)
Small or Large	CPRFCURB011B00	14 (356)	10 (254)	14 (356)	16 (406)	47.8 (1214)	32.4 (822)	2.7 (69)	30.6 (778)	46.1 (1170)
Large	CPRFCURB013B00	14 (356)	14 (356)				43.9 (1116)		42.2 (1072)	

A180216

\*. Part Number CPRFCURB011B00 can be used on both small and large basepan units. The cross supports must be located based on whether the unit is a small basepan or a large basepan.

NOTES:

1. Roof curb must be set up for unit being installed.
2. Seal strip must be applied, as required, to unit being installed.
3. Roof curb is made of 16-gauge steel.
4. Attach ductwork to curb (flanges of duct rest on curb).
5. Insulated panels: 1-in. (25.4 mm) thick fiberglass 1 lb. density.

## Selection Procedure (with example)

### DETERMINE COOLING AND HEATING REQUIREMENTS AT DESIGN CONDITIONS:

Given:

Required Cooling Capacity (TC).....	46,000 Btuh
Sensible Heat Capacity (SHC).....	34,000 Btuh
Required Heating Capacity .....	64,000 Btuh
Condenser Entering Air Temperature .....	95°F(35°C)
Indoor-Air Temperature .....	80°F (26°C) edb 67°F (19°C) ewb
Evaporator Air Quantity.....	1600 CFM
External Static Pressure .....	0.440 IN. W.C.
Electrical Characteristics .....	230-1-60

### SELECT UNIT BASED ON REQUIRED COOLING CAPACITY

Enter Net Cooling Capacities table at condenser entering temperature of 95°F (35°C). Unit 48 at 1600 CFM and 67°F (19°C) ewb (entering wet bulb) will provide a total capacity of 47,000 Btuh and a SHC of 35,000 Btuh. Calculate SHC correction, if required, using Note 4 under Cooling Capacities tables.

### SELECT ELECTRIC HEAT

The required heating capacity is 68,000 Btuh.

Determine additional electric heat capacity in kW.

$$\frac{64,000 \text{ Btuh}}{3414 \text{ Btuh/kW}} = 18.7 \text{ kW of heat required}$$

Enter the electric Heater Packages table for 208/240, single-phase, 48 unit. The 20 kW heater at 240v most closely satisfies the heating required. To calculate kW at 230 vac, multiply the heater kW by multiplication factor 0.92 found in the Wattage Multiplication Factors table.

$$20 \text{ kW} \times 0.92 = 18.4 \text{ kW}$$

18.4 kW x 3414 = 62818 Btuh, which is very close to the 64,000 Btuh desired.

### DETERMINE FAN SPEED AND POWER REQUIREMENTS AT DESIGN CONDITIONS.

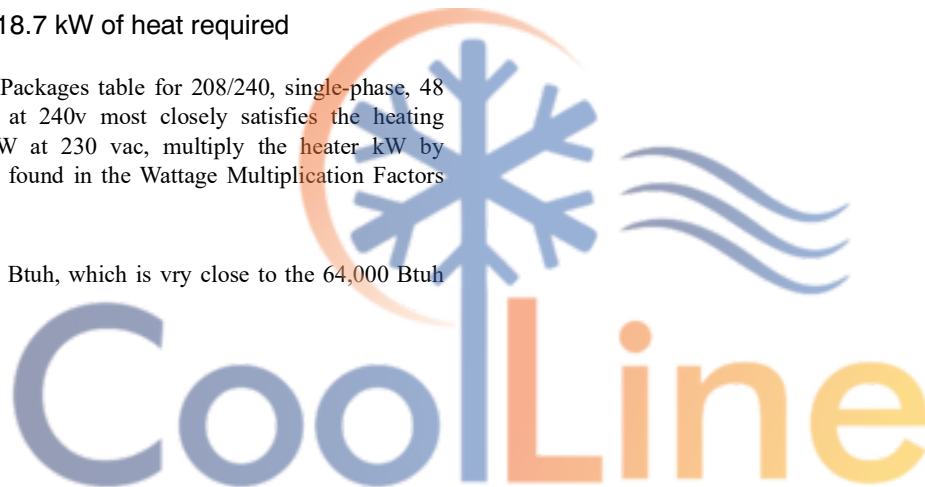
Before entering the air delivery tables, calculate the total static pressure required. From the given example, the Wet Coil Pressure Drop Table, and the Filter Pressure Drop Table:

External Static Pressure	0.300 IN. W.C.
Filter	0.060 IN. W.C.
Wet Coil Pressure Drop	<u>0.070 IN. W.C.</u>
Total Static Pressure	0.43 IN. W.C.

Enter the table for Dry Coil Air Delivery—At 0.43 IN. W.C. ESP (external static pressure) and MED speed the motor delivers between 1664 CFM and 1627 cfm. Interpolation estimates 1653 CFM at .43 IN. W.C. Thus, MED delivers CFM needed.

### SELECT UNIT THAT CORRESPONDS TO POWER SOURCE AVAILABLE

The Electrical Data Table shows that the unit is designed to operate at 208-1-60.



Performance Data

24 Size

EVAPORATOR AIR		CONDENSER ENTERING AIR TEMPERATURES °F (°C)																	
CFM	EWB °F(°C)	75 (23.9)			85 (29.4)			95 (35)			105 (40.6)			115 (46.1)			125 (51.7)		
		Capacity MBtuh		Total Sys KW**	Capacity MBtuh		Total Sys KW**	Capacity MBtuh		Total Sys KW**	Capacity MBtuh		Total Sys KW**	Capacity MBtuh		Total Sys KW**	Capacity MBtuh		Total Sys KW**
		Total	Sens‡		Total	Sens‡		Total	Sens‡		Total	Sens‡		Total	Sens‡		Total	Sens‡	
700	57	23.43	23.43	1.63	22.62	22.62	1.79	21.55	21.55	1.99	20.28	20.28	2.24	19.17	19.17	2.46	18.00	18.00	2.74
	62	24.34	21.83	1.63	23.24	21.29	1.79	22.17	20.15	1.99	20.84	18.60	2.24	19.70	17.19	2.46	18.49	15.72	2.74
	63*	24.82	17.61	1.63	23.70	17.04	1.79	22.39	16.46	1.99	20.80	15.80	2.24	19.46	15.14	2.46	17.89	14.65	2.74
	67	26.69	18.35	1.65	25.49	17.75	1.81	24.05	17.15	2.01	22.36	16.46	2.24	20.92	15.77	2.46	19.24	15.26	2.74
	72	29.09	14.68	1.67	27.78	14.02	1.83	26.28	13.49	2.03	24.38	12.84	2.26	22.80	12.15	2.49	20.97	11.60	2.77
750	57	23.03	22.16	1.65	22.23	20.91	1.81	21.18	19.62	2.01	19.93	18.12	2.25	18.84	16.75	2.48	17.69	15.31	2.76
	62	23.28	21.26	1.65	22.23	20.74	1.81	21.20	19.62	2.01	19.93	18.12	2.25	18.84	16.75	2.48	17.69	15.31	2.76
	63*	23.54	17.15	1.65	22.48	16.59	1.81	21.23	16.03	2.01	19.72	15.39	2.25	18.45	14.75	2.48	16.96	14.27	2.76
	67	25.31	17.87	1.66	24.17	17.28	1.83	22.80	16.70	2.03	21.20	16.03	2.25	19.84	15.36	2.48	18.24	14.86	2.76
	72	27.59	14.30	1.68	26.34	13.65	1.85	24.92	13.14	2.05	23.11	12.50	2.28	21.62	11.83	2.50	19.88	11.30	2.79
900	57	25.43	25.26	1.70	24.55	23.84	1.86	23.38	22.37	2.06	22.00	20.65	2.30	20.80	19.09	2.52	19.53	17.45	2.81
	62	25.70	24.50	1.70	24.55	23.65	1.86	23.41	22.37	2.06	22.00	20.65	2.30	20.80	19.09	2.52	19.53	17.45	2.81
	63*	25.98	19.56	1.70	24.81	18.92	1.86	23.43	18.28	2.06	21.77	17.55	2.30	20.37	16.81	2.52	18.73	16.27	2.81
	67	27.94	20.37	1.71	26.68	19.70	1.88	25.17	19.04	2.08	23.41	18.28	2.30	21.90	17.51	2.52	20.14	16.94	2.81
	72	30.45	16.30	1.73	29.08	15.57	1.89	27.51	14.98	2.10	25.52	14.26	2.32	23.87	13.49	2.55	21.95	12.88	2.84

See Legend and Notes on page 15.

Performance Data (Cont)

30 Size

EVAPORATOR AIR		CONDENSER ENTERING AIR TEMPERATURES °F (°C)																	
CFM	EWB °F(°C)	75 (23.9)			85 (29.4)			95 (35)			105 (40.6)			115 (46.1)			125 (51.7)		
		Capacity MBtuh		Total Sys KW**	Capacity MBtuh		Total Sys KW**	Capacity MBtuh		Total Sys KW**	Capacity MBtuh		Total Sys KW**	Capacity MBtuh		Total Sys KW**	Capacity MBtuh		Total Sys KW**
		Total	Sens‡		Total	Sens‡		Total	Sens‡		Total	Sens‡		Total	Sens‡		Total	Sens‡	
875	57	28.39	28.39	1.97	27.41	27.41	2.17	26.11	26.11	2.41	24.57	24.57	2.71	23.23	23.23	2.98	21.81	21.81	
	62	29.50	27.22	1.97	28.17	26.55	2.17	26.86	25.12	2.41	25.25	23.19	2.71	23.87	21.44	2.98	22.41	19.60	
	63*	30.08	21.96	1.97	28.73	21.24	2.17	27.13	20.52	2.41	25.21	19.70	2.71	23.58	18.88	2.98	21.68	18.27	
	67	32.35	22.87	1.99	30.89	22.13	2.19	29.14	21.38	2.44	27.10	20.52	2.71	25.35	19.67	2.98	23.31	19.03	
	72	35.26	18.30	2.01	33.67	17.48	2.21	31.85	16.82	2.46	29.54	16.01	2.73	27.64	15.14	3.01	25.41	14.46	
950	57	28.28	28.00	2.00	27.31	26.42	2.19	26.01	24.79	2.44	24.48	22.89	2.73	23.14	21.16	3.00	21.73	19.34	
	62	28.59	26.87	2.00	27.31	26.21	2.19	26.04	24.79	2.44	24.48	22.89	2.73	23.14	21.16	3.00	21.73	19.34	
	63*	28.90	21.67	2.00	27.60	20.96	2.19	26.07	20.26	2.44	24.22	19.45	2.73	22.65	18.64	3.00	20.83	18.03	
	67	31.08	22.58	2.02	29.68	21.84	2.21	28.00	21.10	2.46	26.04	20.26	2.73	24.36	19.41	3.00	22.40	18.78	
	72	33.88	18.06	2.04	32.35	17.25	2.24	30.60	16.61	2.48	28.38	15.80	2.76	26.55	14.95	3.03	24.42	14.27	
1125	57	30.81	30.81	2.05	29.75	29.73	2.25	28.34	27.89	2.49	26.67	25.75	2.79	25.21	23.80	3.06	23.67	21.76	
	62	31.15	30.54	2.05	29.75	29.48	2.25	28.37	27.89	2.49	26.67	25.75	2.79	25.21	23.80	3.06	23.67	21.76	
	63*	31.49	24.38	2.05	30.07	23.59	2.25	28.40	22.79	2.49	26.38	21.88	2.79	24.68	20.96	3.06	22.70	20.28	
	67	33.86	25.40	2.07	32.34	24.57	2.27	30.51	23.74	2.52	28.37	22.79	2.79	26.54	21.84	3.06	24.40	21.13	
	72	36.91	20.32	2.09	35.25	19.41	2.29	33.34	18.68	2.54	30.92	17.77	2.81	28.93	16.82	3.09	26.60	16.06	

See Legend and Notes on page 15.

Manufacturer reserves the right to change, at any time, specifications and designs without notice and without obligations.

Performance Data (Cont)

36 Size

EVAPORATOR AIR		CONDENSER ENTERING AIR TEMPERATURES °F (°C)																	
CFM	EWB °F(°C)	75 (23.9)			85 (29.4)			95 (35)			105 (40.6)			115 (46.1)			125 (51.7)		
		Capacity MBtuh		Total Sys KW**	Capacity MBtuh		Total Sys KW**	Capacity MBtuh		Total Sys KW**	Capacity MBtuh		Total Sys KW**	Capacity MBtuh		Total Sys KW**	Capacity MBtuh		Total Sys KW**
		Total	Sens‡		Total	Sens‡		Total	Sens‡		Total	Sens‡		Total	Sens‡		Total	Sens‡	
1050	57	33.98	33.98	2.35	32.80	32.80	2.58	31.25	31.25	2.87	29.41	29.41	3.22	27.80	27.80	3.54	26.10	26.10	3.95
	62	35.30	32.61	2.35	33.71	31.81	2.58	32.14	30.09	2.87	30.22	27.78	3.22	28.57	25.68	3.54	26.82	23.48	3.95
	63*	36.00	26.31	2.35	34.38	25.45	2.58	32.47	24.59	2.87	30.16	23.60	3.22	28.22	22.62	3.54	25.95	21.88	3.95
	67	38.71	27.40	2.37	36.97	26.51	2.61	34.87	25.61	2.90	32.43	24.59	3.22	30.34	23.56	3.54	27.90	22.79	3.95
	72	42.19	21.92	2.39	40.29	20.94	2.63	38.12	20.16	2.93	35.35	19.18	3.25	33.07	18.14	3.58	30.41	17.32	3.99
1150	57	34.14	33.83	2.38	32.96	31.93	2.61	31.40	29.96	2.90	29.55	27.66	3.25	27.94	25.57	3.57	26.23	23.38	3.98
	62	34.52	32.47	2.38	32.96	31.67	2.61	31.43	29.96	2.90	29.55	27.66	3.25	27.94	25.57	3.57	26.23	23.38	3.98
	63*	34.89	26.19	2.38	33.32	25.34	2.61	31.47	24.48	2.90	29.23	23.50	3.25	27.35	22.52	3.57	25.15	21.79	3.98
	67	37.52	27.29	2.40	35.83	26.39	2.64	33.80	25.50	2.93	31.43	24.48	3.25	29.41	23.46	3.57	27.04	22.70	3.98
	72	40.89	21.83	2.43	39.05	20.85	2.66	36.94	20.07	2.96	34.26	19.09	3.28	32.05	18.06	3.61	29.47	17.25	4.02
1350	57	36.87	36.87	2.44	35.60	35.60	2.67	33.91	33.41	2.96	31.91	30.85	3.32	30.17	28.52	3.64	28.33	26.07	4.05
	62	37.28	36.59	2.44	35.60	35.32	2.67	33.95	33.41	2.96	31.91	30.85	3.32	30.17	28.52	3.64	28.33	26.07	4.05
	63*	37.68	29.21	2.44	35.99	28.26	2.67	33.99	27.30	2.96	31.57	26.21	3.32	29.54	25.12	3.64	27.16	24.30	4.05
	67	40.52	30.43	2.47	38.69	29.43	2.70	36.50	28.44	2.99	33.95	27.30	3.32	31.76	26.16	3.64	29.20	25.31	4.05
	72	44.17	24.34	2.49	42.18	23.25	2.73	39.90	22.38	3.02	37.00	21.29	3.35	34.62	20.15	3.67	31.83	19.24	4.09

See Legend and Notes on page 15.

Performance Data (Cont)

42 Size

EVAPORATOR AIR		CONDENSER ENTERING AIR TEMPERATURES °F (°C)																	
CFM	EWB °F(°C)	75 (23.9)			85 (29.4)			95 (35)			105 (40.6)			115 (46.1)			125 (51.7)		
		Capacity MBtuh		Total Sys KW**	Capacity MBtuh		Total Sys KW**	Capacity MBtuh		Total Sys KW**	Capacity MBtuh		Total Sys KW**	Capacity MBtuh		Total Sys KW**	Capacity MBtuh		Total Sys KW**
		Total	Sens‡		Total	Sens‡		Total	Sens‡		Total	Sens‡		Total	Sens‡		Total	Sens‡	
1225	57	38.96	38.96	2.77	37.62	37.62	3.04	35.84	35.84	3.39	33.72	33.72	3.80	31.88	31.88	4.18	29.93	29.93	4.67
	62	40.48	37.87	2.77	38.65	36.94	3.04	36.86	34.95	3.39	34.65	32.27	3.80	32.76	29.83	4.18	30.76	27.27	4.67
	63*	41.28	30.55	2.77	39.42	29.55	3.04	37.23	28.56	3.39	34.59	27.41	3.80	32.36	26.27	4.18	29.75	25.41	4.67
	67	44.39	31.83	2.80	42.39	30.79	3.07	39.99	29.74	3.42	37.19	28.56	3.80	34.79	27.37	4.18	31.99	26.47	4.67
	72	48.38	25.46	2.83	46.20	24.32	3.11	43.71	23.41	3.45	40.54	22.27	3.84	37.92	21.07	4.22	34.87	20.12	4.71
1350	57	39.39	39.39	2.81	38.03	37.32	3.08	36.23	35.02	3.43	34.09	32.33	3.84	32.23	29.88	4.22	30.26	27.32	4.71
	62	39.83	37.94	2.81	38.03	37.01	3.08	36.27	35.02	3.43	34.09	32.33	3.84	32.23	29.88	4.22	30.26	27.32	4.71
	63*	40.26	30.61	2.81	38.45	29.61	3.08	36.31	28.61	3.43	33.73	27.46	3.84	31.55	26.32	4.22	29.02	25.46	4.71
	67	43.29	31.89	2.84	41.34	30.84	3.11	39.00	29.80	3.46	36.27	28.61	3.84	33.93	27.42	4.22	31.20	26.52	4.71
	72	47.19	25.51	2.87	45.06	24.37	3.15	42.63	23.45	3.49	39.53	22.31	3.88	36.98	21.11	4.26	34.01	20.16	4.75
1575	57	42.28	42.28	2.88	40.82	40.82	3.15	38.89	38.81	3.50	36.59	35.83	3.91	34.60	33.12	4.29	32.48	30.28	4.78
	62	42.75	42.50	2.88	40.82	40.82	3.15	38.93	38.81	3.50	36.59	35.83	3.91	34.60	33.12	4.29	32.48	30.28	4.78
	63*	43.21	33.93	2.88	41.27	32.82	3.15	38.97	31.71	3.50	36.20	30.44	3.91	33.87	29.17	4.29	31.14	28.22	4.78
	67	46.46	35.34	2.91	44.37	34.18	3.19	41.86	33.03	3.53	38.93	31.71	3.91	36.42	30.39	4.29	33.49	29.40	4.78
	72	50.65	28.27	2.94	48.37	27.01	3.22	45.75	25.99	3.57	42.43	24.73	3.95	39.70	23.40	4.34	36.50	22.34	4.82

See Legend and Notes on page 15.

Manufacturer reserves the right to change, at any time, specifications and designs without notice and without obligations.

Performance Data (Cont)

48 Size

EVAPORATOR AIR		CONDENSER ENTERING AIR TEMPERATURES °F (°C)																	
CFM	EWB °F(°C)	75 (23.9)			85 (29.4)			95 (35)			105 (40.6)			115 (46.1)			125 (51.7)		
		Capacity MBtuh		Total Sys KW**	Capacity MBtuh		Total Sys KW**	Capacity MBtuh		Total Sys KW**	Capacity MBtuh		Total Sys KW**	Capacity MBtuh		Total Sys KW**	Capacity MBtuh		Total Sys KW**
		Total	Sens‡		Total	Sens‡		Total	Sens‡		Total	Sens‡		Total	Sens‡		Total	Sens‡	
1400	57	45.28	45.28	3.22	43.71	43.71	3.54	41.64	41.64	3.95	39.19	39.19	4.43	37.05	37.05	4.88	34.79	34.79	5.44
	62	47.04	42.89	3.22	44.92	41.84	3.54	42.84	39.58	3.95	40.27	36.54	4.43	38.07	33.78	4.88	35.74	30.88	5.44
	63*	47.97	34.60	3.22	45.81	33.47	3.54	43.26	32.34	3.95	40.19	31.05	4.43	37.60	29.75	4.88	34.57	28.78	5.44
	67	51.58	36.05	3.26	49.26	34.87	3.58	46.47	33.69	3.99	43.22	32.34	4.43	40.43	30.99	4.88	37.18	29.98	5.44
	72	56.23	28.84	3.29	53.69	27.54	3.62	50.79	26.51	4.03	47.11	25.23	4.48	44.07	23.86	4.93	40.52	22.79	5.50
1600	57	47.47	46.44	3.29	45.83	43.83	3.61	43.66	41.13	4.01	41.09	37.97	4.50	38.85	35.10	4.94	36.47	32.08	5.51
	62	48.00	44.57	3.29	45.83	43.47	3.61	43.71	41.13	4.01	41.09	37.97	4.50	38.85	35.10	4.94	36.47	32.08	5.51
	63*	48.52	35.95	3.29	46.33	34.78	3.61	43.76	33.60	4.01	40.65	32.26	4.50	38.03	30.91	4.94	34.97	29.90	5.51
	67	52.17	37.45	3.32	49.82	36.23	3.65	47.00	35.00	4.05	43.71	33.60	4.50	40.89	32.20	4.94	37.60	31.15	5.51
	72	56.87	29.96	3.35	54.30	28.62	3.68	51.37	27.55	4.09	47.64	26.21	4.54	44.57	24.79	4.99	40.98	23.67	5.56
1800	57	49.14	49.14	3.35	47.44	46.85	3.67	45.19	43.95	4.07	42.53	40.58	4.56	40.21	37.51	5.01	37.75	34.29	5.57
	62	49.68	48.13	3.35	47.44	46.46	3.67	45.24	43.95	4.07	42.53	40.58	4.56	40.21	37.51	5.01	37.75	34.29	5.57
	63*	50.22	38.42	3.35	47.95	37.17	3.67	45.29	35.91	4.07	42.07	34.47	4.56	39.36	33.04	5.01	36.19	31.96	5.57
	67	54.00	40.02	3.39	51.56	38.72	3.71	48.65	37.41	4.11	45.24	35.91	4.56	42.32	34.41	5.01	38.92	33.29	5.57
	72	58.86	32.02	3.42	56.20	30.59	3.75	53.17	29.44	4.15	49.31	28.01	4.60	46.13	26.50	5.05	42.42	25.30	5.63

See Legend and Notes on page 15.

60 Size

EVAPORATOR AIR		CONDENSER ENTERING AIR TEMPERATURES °F (°C)																	
CFM	EWB °F(°C)	75 (23.9)			85 (29.4)			95 (35)			105 (40.6)			115 (46.1)			125 (51.7)		
		Capacity MBtuh		Total Sys KW**	Capacity MBtuh		Total Sys KW**	Capacity MBtuh		Total Sys KW**	Capacity MBtuh		Total Sys KW**	Capacity MBtuh		Total Sys KW**	Capacity MBtuh		Total Sys KW**
		Total	Sens‡		Total	Sens‡		Total	Sens‡		Total	Sens‡		Total	Sens‡		Total	Sens‡	
1600	57	53.27	53.27	3.87	51.43	51.43	4.26	48.99	48.99	4.73	45.11	45.11	5.31	41.58	41.58	5.84	38.88	38.82	6.52
	62	55.42	49.99	3.87	52.93	48.77	4.26	50.47	46.14	4.73	46.42	41.71	5.31	42.79	37.23	5.84	40.01	33.97	6.52
	63	56.55	40.33	3.87	54.01	39.01	4.26	51.00	37.69	4.73	46.36	35.43	5.31	42.29	32.79	5.84	38.72	31.66	6.52
	67	60.81	42.01	3.91	58.07	40.64	4.30	54.78	39.26	4.78	49.85	36.91	5.31	45.47	34.16	5.84	41.64	32.98	6.52
	72	66.28	33.61	3.95	62.11	32.10	4.34	56.35	30.90	4.83	54.34	28.79	5.37	49.56	26.30	5.90	45.38	25.07	6.59
1750	57	56.57	54.27	3.92	54.61	51.22	4.30	52.02	48.06	4.78	47.90	43.44	5.36	44.16	38.79	5.89	41.28	35.39	6.57
	62	57.19	52.08	3.92	54.61	50.80	4.30	52.08	48.06	4.78	47.90	43.44	5.36	44.16	38.79	5.89	41.28	35.39	6.57
	63	57.81	42.01	3.92	55.20	40.64	4.30	52.14	39.26	4.78	47.39	36.91	5.36	43.23	34.16	5.89	39.58	32.98	6.57
	67	62.16	43.76	3.96	59.36	42.33	4.35	56.00	40.90	4.83	50.96	38.45	5.36	46.48	35.58	5.89	42.56	34.36	6.57
	72	67.75	35.01	4.00	64.70	33.44	4.39	61.21	32.19	4.88	55.55	29.99	5.41	50.66	27.40	5.95	46.39	26.11	6.63
2000	57	58.18	58.18	4.00	56.17	55.61	4.38	53.51	52.18	4.86	49.27	47.17	5.44	45.42	42.11	5.97	42.46	38.42	6.65
	62	58.82	57.14	4.00	56.17	55.15	4.38	53.57	52.18	4.86	49.27	47.17	5.44	45.42	42.11	5.97	42.46	38.42	6.65
	63	59.46	45.61	4.00	56.78	44.12	4.38	53.63	42.63	4.86	48.75	40.07	5.44	44.46	37.09	5.97	40.71	35.81	6.65
	67	63.94	47.51	4.04	61.06	45.96	4.43	57.60	44.41	4.91	52.42	41.74	5.44	47.81	38.63	5.97	43.78	37.30	6.65
	72	69.69	38.01	4.08	66.55	36.31	4.47	62.96	34.95	4.96	57.13	32.56	5.49	52.11	29.75	6.03	47.72	28.35	6.71

See Legend and Notes on page 15.

Manufacturer reserves the right to change, at any time, specifications and designs without notice and without obligations.

## Performance Data (Cont)

\* At 75°F (24°C) entering dry bulb-Tennessee Valley Authority (TVA) rating conditions; all others at 80°F(27°C) dry bulb.

‡ Sensible capacities shown are based on 80°F (27°C) entering air at the indoor coil. For sensible capacities at other than 80°F (27°C), deduct 835 Btuh (245 kW) per 1000 CFM (480 L/S) of indoor coil air for each degree below 80°F (27°C), or add 835 Btuh (245 kW) per 1000 CFM (480 L/S) of indoor coil air per degree above 80°F (27°C).

\*\* System KW is total of indoor and outdoor unit kilowatts.

\*\*\*System amps are at 230 VAC line voltage. If using True RMS meter, add 10%

### LEGEND

BF— Bypass Factor

edb— Entering Dry-Bulb

Ewb— Entering Wet-Bulb

kW — Total Unit Power Input

SHC— Sensible Heat Capacity (1000 Btuh)

TC — Total Capacity (1000 Btuh) (net)

rh—Relative Humidity

### COOLING NOTES:

1. Ratings are net; they account for the effects of the evaporator-fan motor power and heat.
2. Direct interpolation is permissible. Do not extrapolate.
3. The following formulas may be used:

$$t_{db} = t_{edb} - \frac{\text{Sensible capacity (Btuh)}}{1.10 \times \text{CFM}}$$

$$t_{lwb} = \text{Wet-bulb temperature corresponding to enthalpy of air leaving evaporator coil } (t_{lwb})$$

$$h_{lwb} = h_{ewb} - \frac{\text{total capacity (Btuh)}}{(4.5 \times \text{CFM})}$$

Where:  $h_{ewb}$  = Enthalpy of air entering evaporator coil

4. The SHC is based on 80°F (26.6°C) edb temperature of air entering evaporator coil. Below 80°F (26.6°C) edb, subtract (corr factor x cfm) from SHC.

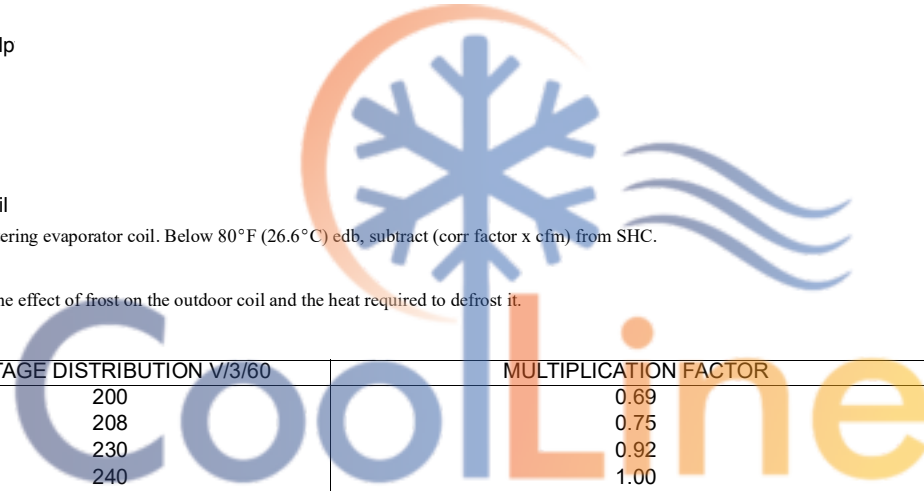
Above 80°F (26.6°C) edb, add (corr factor x cfm) to SHC.

Correction Factor =  $1.10 \times (1 + \text{BF}) \times (\text{edb} - 80)$ .

5. Integrated capacity is maximum (instantaneous) capacity less the effect of frost on the outdoor coil and the heat required to defrost it.

## Multiplication Factors

HEATER kW RATING	VOLTAGE DISTRIBUTION V/3/60	MULTIPLICATION FACTOR
240	200	0.69
	208	0.75
	230	0.92
	240	1.00



### Dry Coil Air Delivery\* - Horizontal and Downflow Discharge Sizes 24-60

Unit Size	Motor Speed	Tap	ESP (in. W.C.)										
			CFM	0.1	0.2	0.3	0.4	0.5	0.6	0.7	0.8	0.9	1
24	Low	Blue	CFM	640	553	454	310	---	---	---	---	---	---
			BHP	0.07	0.08	0.08	0.09	---	---	---	---	---	---
	Med-Low	Pink	CFM	830	758	688	607	514	393	254	---	---	---
			BHP	0.12	0.13	0.13	0.13	0.14	0.14	0.15	---	---	---
	Medium**	Red	CFM	1080	1025	969	910	852	787	718	638	541	457
			BHP	0.21	0.22	0.23	0.23	0.24	0.24	0.25	0.25	0.26	0.26
	Med-High	Orange	CFM	1101	1046	993	936	878	816	749	676	599	498
			BHP	0.22	0.23	0.24	0.24	0.25	0.26	0.26	0.27	0.27	0.28
	High	Black	CFM	1222	1173	1123	1072	1021	967	912	853	787	712
			BHP	0.29	0.29	0.30	0.31	0.31	0.32	0.33	0.34	0.34	0.34
30	Low	Blue	CFM	643	552	455	348	225	---	---	---	---	---
			BHP	0.09	0.10	0.11	0.11	0.11	---	---	---	---	---
	Med-Low	Pink	CFM	817	744	673	597	516	431	325	190	---	---
			BHP	0.14	0.15	0.15	0.16	0.17	0.17	0.18	0.18	---	---
	Medium	Red	CFM	1159	1104	1045	990	937	878	821	759	693	618
			BHP	0.31	0.32	0.33	0.33	0.34	0.35	0.36	0.37	0.37	0.38
	Med-High**	Orange	CFM	1201	1147	1095	1037	987	934	877	818	755	671
			BHP	0.34	0.35	0.36	0.37	0.37	0.38	0.39	0.40	0.41	0.40
	High	Black	CFM	1291	1236	1181	1131	1080	1033	978	909	792	661
			BHP	0.41	0.42	0.43	0.43	0.44	0.45	0.46	0.45	0.43	0.40
36	Low	Blue	CFM	1096	1044	994	945	892	837	780	717	664	612
			BHP	0.14	0.15	0.16	0.18	0.19	0.19	0.20	0.21	0.22	0.23
	Med-Low	Pink	CFM	1151	1103	1056	1002	953	897	845	788	729	678
			BHP	0.16	0.17	0.18	0.19	0.20	0.21	0.22	0.23	0.24	0.25
	Medium	Red	CFM	1299	1252	1204	1155	1106	1059	1007	959	905	844
			BHP	0.22	0.23	0.24	0.25	0.26	0.27	0.28	0.29	0.30	0.31
	Med-High**	Orange	CFM	1382	1335	1292	1246	1202	1152	1106	1058	1007	957
			BHP	0.26	0.27	0.28	0.29	0.30	0.31	0.32	0.33	0.34	0.35
	High	Black	CFM	1530	1485	1442	1398	1354	1309	1263	1217	1169	1120
			BHP	0.33	0.35	0.36	0.37	0.38	0.39	0.40	0.41	0.42	0.43
42	Low	Blue	CFM	956	899	843	786	729	676	621	558	504	435
			BHP	0.13	0.13	0.14	0.15	0.16	0.16	0.17	0.18	0.18	0.19
	Med-Low	Pink	CFM	1201	1153	1107	1060	1012	965	917	871	828	782
			BHP	0.21	0.22	0.22	0.23	0.24	0.25	0.26	0.27	0.28	0.29
	Medium	Red	CFM	1443	1402	1361	1322	1284	1243	1204	1164	1124	1084
			BHP	0.32	0.33	0.34	0.35	0.36	0.37	0.38	0.39	0.40	0.42
	Med-High**	Orange	CFM	1529	1491	1451	1411	1376	1338	1300	1261	1223	1185
			BHP	0.37	0.39	0.40	0.41	0.42	0.43	0.44	0.45	0.46	0.47
	High	Black	CFM	1604	1565	1529	1490	1455	1421	1385	1348	1310	1274
			BHP	0.42	0.44	0.45	0.46	0.47	0.48	0.49	0.50	0.51	0.52
48	Low	Blue	CFM	641	551	462	385	289	216	163	115	---	---
			BHP	0.05	0.06	0.06	0.07	0.07	0.08	0.08	0.09	---	---
	Med-Low	Pink	CFM	1437	1395	1351	1307	1265	1221	1176	1132	1084	1039
			BHP	0.29	0.30	0.31	0.32	0.33	0.34	0.35	0.36	0.37	0.38
	Medium**	Red	CFM	1771	1735	1699	1664	1627	1592	1557	1522	1486	1450
			BHP	0.51	0.52	0.53	0.55	0.56	0.57	0.58	0.59	0.61	0.62
	Med-High	Orange	CFM	1928	1897	1862	1830	1796	1764	1732	1698	1660	1620
			BHP	0.64	0.65	0.67	0.68	0.69	0.71	0.72	0.73	0.71	0.66
	High	Black	CFM	2212	2167	2124	2061	1976	1892	1794	1699	1567	1438
			BHP	0.97	0.99	1.00	0.97	0.95	0.91	0.86	0.82	0.77	0.71
60	Low	Blue	CFM	641	551	462	385	289	216	163	115	---	---
			BHP	0.05	0.06	0.06	0.07	0.07	0.08	0.08	0.09	---	---
	Med-Low	Pink	CFM	1437	1395	1351	1307	1265	1221	1176	1132	1084	1039
			BHP	0.29	0.30	0.31	0.32	0.33	0.34	0.35	0.36	0.37	0.38
	Medium**	Red	CFM	1914	1881	1848	1814	1780	1748	1716	1681	1619	1512
			BHP	0.62	0.64	0.65	0.67	0.68	0.69	0.71	0.72	0.71	0.66
	Med-High	Orange	CFM	1928	1897	1862	1830	1796	1764	1732	1698	1660	1620
			BHP	0.64	0.65	0.67	0.68	0.69	0.71	0.72	0.73	0.71	0.66
	High	Black	CFM	2212	2167	2124	2061	1976	1892	1794	1699	1567	1438
			BHP	0.97	0.99	1.00	0.97	0.95	0.91	0.86	0.82	0.77	0.71

Shaded areas indicate speed/static combinations that are not permitted for dehumidification speed.

\* Air delivery values are without air filter and are for dry coil (See Wet Coil Pressure Drop Table).

\*\* Factory-shipped cooling speed

"High Static Cooling" = Only to be used for cooling function (not allowed for heating function)

NOTE: Duct field-supplied air filter pressure drop and wet coil pressure drop to obtain static pressure available for ducting.



**Wet Coil Pressure Drop (IN. W.C.)**

Unit Size	Standard CFM (SCFM)																	
	600	700	800	900	1000	1100	1200	1300	1400	1500	1600	1700	1800	1900	2000	2100	2200	
24	0.03	0.04	0.04	0.05	0.06													
30				0.05	0.06	0.07	0.08	0.11										
36				0.02	0.03	0.03	0.04	0.05	0.05									
42					0.05	0.05	0.06	0.07	0.08	0.08	0.09	0.09	0.11					
48							0.04	0.05	0.05	0.06	0.07	0.07	0.08	0.09	0.14			
60										0.06	0.07	0.01	0.08	0.09	0.10	0.12	0.13	

**Horizontal and Downflow Filter Pressure Drop Table (IN. W.C.)**

Filter Size in. (mm)	Cooling Tons	Standard CFM (SCFM)																	
		600	700	800	900	1000	1100	1200	1300	1400	1500	1600	1700	1800	1900	2000	2100	2200	
600-1400CFM 12x20x1+12x20x1 (305x508x25+305x508x25)	2.0, 2.5	0.03	0.05	0.06	0.08	0.10	0.11	0.13	0.14	0.16	-	-	-	-	-	-	-	-	
1200-1800 CFM 16x24x1+14x24x1 (406x610x25+356x610x25)	3.5	-	-	-	-	-	-	0.07	0.08	0.09	0.09	0.10	0.11	0.12	-	-	-	-	
1100-2200 CFM 16x24x1+18x24x1 (406x610x25+457x610x25)	3.0, 4.0, 5.0	-	-	-	-	-	0.02	0.02	0.03	0.03	0.04	0.06	0.08	0.10	0.11	0.13	0.14	0.15	

**Economizer with 1-in. Filter Pressure Drop (IN. W.C.)**

Filter Size in. (mm)	Cooling Tons	Standard CFM (SCFM)																	
		600	700	800	900	1000	1100	1200	1300	1400	1500	1600	1700	1800	1900	2000	2100	2200	
600-1400 CFM 12x20x1+12x20x1 (305x508x25+305x508x25)	2.0, 2.5	-	-	0.08	0.09	0.10	0.11	0.11	0.13	0.14	-	-	-	-	-	-	-	-	
1200-1800CFM 16x24x1+14x24x1 (406x610x25+356x610x25)	3.5	-	-	-	-	-	0.09	0.09	0.10	0.12	0.13	0.15	0.17	0.17	0.19	0.21	-	-	
1500-2200CFM 16x24x1+18x24x1 (406x610x25+457x610x25)	3.0, 4.0, 5.0	-	-	-	-	-	-	-	-	-	0.15	0.17	0.18	0.20	0.21	0.22	0.23	0.23	

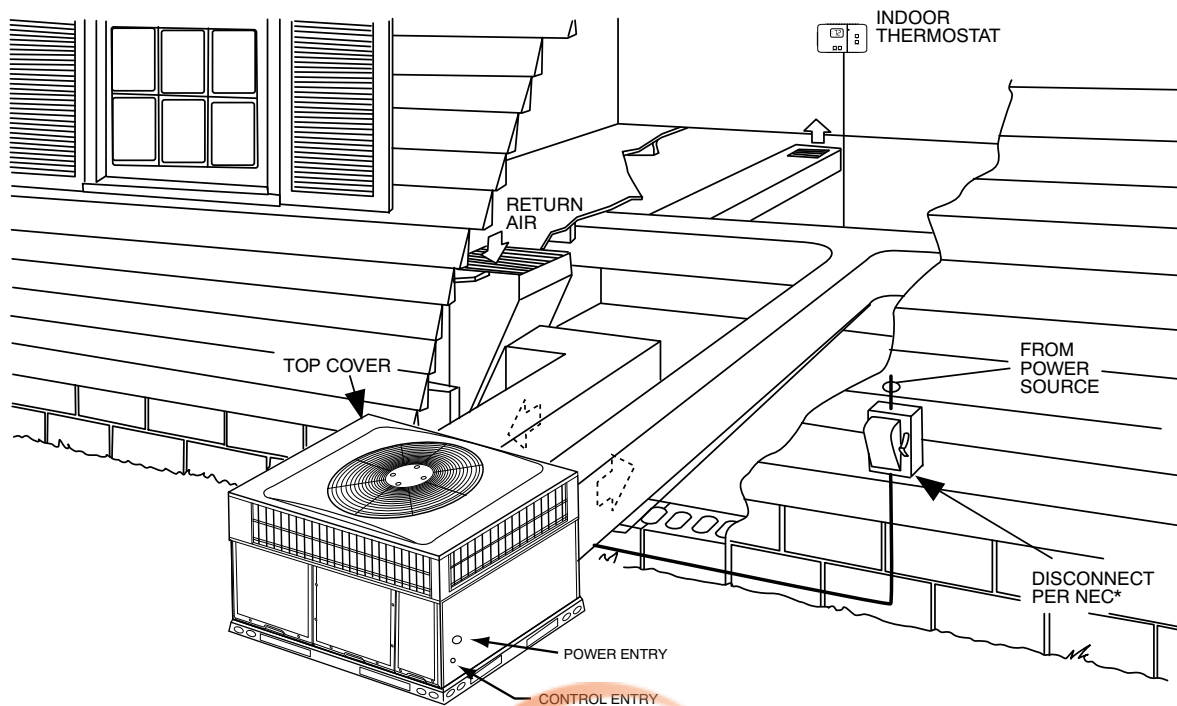
**Electric Heat Pressure Drop Tables (IN. W.C.)****Small Cabinet: 24-30**

STATIC	STANDARD CFM (SCFM)															
	500	600	700	800	900	1000	1100	1200	1300	1400	1500	1600				
5 kW	0.00	0.00	0.00	0.00	0.00	0.00	0.00	0.00	0.02	0.04	0.06	0.07	0.09	0.10	0.11	
10 kW	0.00	0.00	0.00	0.00	0.00	0.02	0.04	0.06	0.07	0.09	0.10	0.11	0.12	0.14	0.16	0.18
15 kW	0.00	0.00	0.00	0.02	0.04	0.06	0.08	0.10	0.12	0.14	0.16	0.18	0.19	0.21	0.23	0.25
20 kW	0.00	0.00	0.02	0.04	0.06	0.08	0.09	0.11	0.13	0.15	0.17	0.19	0.21	0.23	0.25	0.27

**Large Cabinet: 36-60**

STATIC	STANDARD CFM (SCFM)														
	1100	1200	1300	1400	1500	1600	1700	1800	1900	2000	2100	2200	2300	2400	2500
5 kW	0.00	0.00	0.00	0.01	0.02	0.03	0.04	0.05	0.06	0.07	0.08	0.09	0.10	0.11	0.12
10 kW	0.00	0.00	0.01	0.02	0.03	0.04	0.05	0.06	0.07	0.08	0.09	0.10	0.11	0.12	0.13
15 kW	0.00	0.02	0.03	0.04	0.05	0.06	0.07	0.08	0.09	0.10	0.11	0.12	0.13	0.14	0.15
20 kW	0.02	0.03	0.04	0.05	0.06	0.07	0.08	0.09	0.10	0.11	0.12	0.13	0.14	0.15	0.16

## Typical Piping and Wiring



\*NEC - National Electrical Code

A09240

### Application Data

**Condensate trap** — A 2-in. (50.8 mm) condensate trap must be field supplied.

**Ductwork** — Secure downflow discharge ductwork to roof curb. For horizontal discharge applications, attach ductwork to unit with flanges.

**To convert a unit to downflow discharge** — Units are equipped with factory-installed inserts in the downflow openings. Removal of the inserts is similar to removing an electrical knock-out.

**Maximum cooling airflow** — To minimize the possibility of condensate blow-off from the evaporator, airflow through the units should not exceed 450 cfm per ton.

**Minimum cooling airflow** — Minimum cooling airflow is 350 cfm per ton.

**Minimum ambient cooling operation temperature** — All standard units have a minimum ambient operating temperature of 40°F (4°C). With accessory low ambient temperature kit, units can operate at temperatures down to 0°F (-17°C).

## Electrical Data

MODEL	NOMINAL V-PH-HZ	VOLTAGE RANGE		COMPRESSOR		OFM	IFM	NOMINAL ELECTRIC HEAT KW	POWER SUPPLY		
		MIN	MAX	RLA	LRA	FLA	FLA		FLA	MCA	MOCP
24	208/230-1-60	197	253	11.1	59.5	0.6	3.9	-/-	-/-	18.4	25
								3.8/5	18.1/20.8	27.5/30.9	30/35
								5.4/7.2	25.9/30	37.3/42.4	40/45
								7.5/10	36.1/41.7	50/57	50/60
30	208/230-1-60	197	253	14.1	67.9	1.05	3.9	-/-	-/-	22.6	30
								3.8/5	18.1/20.8	27.5/30.9	30/35
								5.4/7.2	25.9/30	37.3/42.4	40/45
								7.5/10	36.1/41.7	50/57	50/60
36	208/230-1-60	197	253	14.7	75	1.05	3.8	-/-	-/-	23.3	35
								3.8/5	18.1/20.8	27.4/30.8	35/35
								5.4/7.2	25.9/30	37.1/42.3	40/45
								7.5/10	36.1/41.7	49.9/56.9	50/60
36	208/230-3-60	197	253	8.5	70	1.05	3.8	-/-	-/-	15.5	25
								3.8/5	10.4/12	17.8/19.8	25/25
								5.4/7.2	20.8/24.1	30.8/34.9	35/35
								11.3/15	31.2/36.1	43.8/49.9	45/50
36	460-3-60	414	506	3.8	31	0.53	1.2	-	-	6.5	15
								10	12	16.5	20
								15	18	24	25
								-/-	-/-	27.8	40
42	208/230-1-60	197	253	16.7	109	1.05	5.8	3.8/5	18.1/20.8	35.9/37.9	40/40
								5.4/7.2	25.9/30	39.6/44.8	40/45
								7.5/10	36.1/41.7	52.4/59.4	60/60
								11.3/15	54.2/62.5	75/85.4	80/90
42	208/230-3-60	197	253	11.2	84	1.05	5.8	-/-	-/-	20.9	30
								3.8/5	10.4/12	20.9/22.3	30/30
								5.4/7.2	20.8/24.1	33.3/37.4	35/40
								11.3/15	31.2/36.1	46.3/52.4	50/60
42	460-3-60	414	506	5.6	44	0.53	1.7	-	-	9.2	15
								10	12	17.1	20
								15	18	24.6	25
								20	24.1	32.3	35
48	208/230-1-60	197	253	19.6	130	1.05	6.9	-/-	-/-	32.5	50
								3.8/5	18.1/20.8	32.5/34.6	50/50
								5.4/7.2	25.9/30	41/46.1	50/50
								7.5/10	36.1/41.7	53.8/60.8	60/70
48	208/230-3-60	197	253	13.7	83.1	1.05	6.9	11.3/15	54.2/62.5	76.4/86.8	80/90
								15/20	72.2/83.3	98.9/112.8	100/125
								-/-	-/-	25.1	35
								3.8/5	10.4/12	25.1/25.1	35/35
48	460-3-60	414	506	6.2	41	0.53	2.3	5.4/7.2	20.8/24.1	34.6/38.8	35/40
								11.3/15	31.2/36.1	47.6/53.8	50/60
								15/20	41.4/47.9	60.4/68.5	70/70
								-	-	10.6	15
60	208/230-1-60	197	253	23.9	124.5	1.05	6.9	10	12	17.9	20
								15	18	25.4	30
								20	24.1	33	35
								-/-	-/-	37.9	60
60	208/230-3-60	197	253	13.5	93	1.05	6.9	3.8/5	18.1/20.8	37.9/37.9	60/60
								5.4/7.2	25.9/30	41/46.1	60/60
								7.5/10	36.1/41.7	53.8/60.8	60/70
								11.3/15	54.2/62.5	76.4/86.8	80/90
60	460-3-60	414	506	6.4	60	0.53	2.3	15/20	72.2/83.3	98.9/112.8	100/125
								-/-	-/-	24.9	35
								3.8/5	10.4/12	24.9/24.9	35/35
								5.4/7.2	20.8/24.1	34.6/38.8	35/40
60	460-3-60	414	506	6.4	60	0.53	2.3	11.3/15	31.2/36.1	47.6/53.8	50/60
								15/20	41.4/47.9	60.4/68.5	70/70
								-	-	10.8	15
								10	12	17.9	20
60	460-3-60	414	506	6.4	60	0.53	2.3	15	18	25.4	30
								20	24.1	33	35

## Electrical Data (Continued)

### LEGEND

FLA - Full Load Amps  
 IDM - Inducer Motor  
 IFM - Indoor Fan Motor  
 LRA - Locked Rotor Amps  
 MCA - Minimum Circuit Amps  
 MOCP - Maximum Over Current Protection  
 OFM - Outdoor Fan Motor  
 RLA - Rated Load Amps

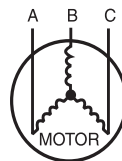
### NOTES:

- In compliance with NEC (National Electrical Code) requirements for multimotor and combination load equipment (refer to NEC Articles 430 and 440), the overcurrent protective device for the unit shall be Power Supply fuse or circuit breaker.
- Minimum wire size is based on 60 C copper wire. If other than 60 C wire is used, or if length exceeds wire length in table, determine size from NEC.
- Unbalanced 3-Phase Supply Voltage  
*Never operate a motor where a phase imbalance in supply voltage is greater than 2%.* Use the following formula to determine the percentage of voltage imbalance

% Voltage imbalance

$$= 100 \times \frac{\text{max voltage deviation from average voltage}}{\text{average voltage}}$$

EXAMPLE: Supply voltage is 230-3-60.



AB = 228 v  
 BC = 231 v  
 AC = 227 v

$$\begin{aligned} \text{Average Voltage} &= \frac{228 + 231 + 227}{3} \\ &= \frac{686}{3} \\ &= 229 \end{aligned}$$

Determine maximum deviation from average voltage.

(AB) 229 - 228 = 1 v  
 (BC) 231 - 229 = 2 v  
 (AC) 229 - 227 = 2 v

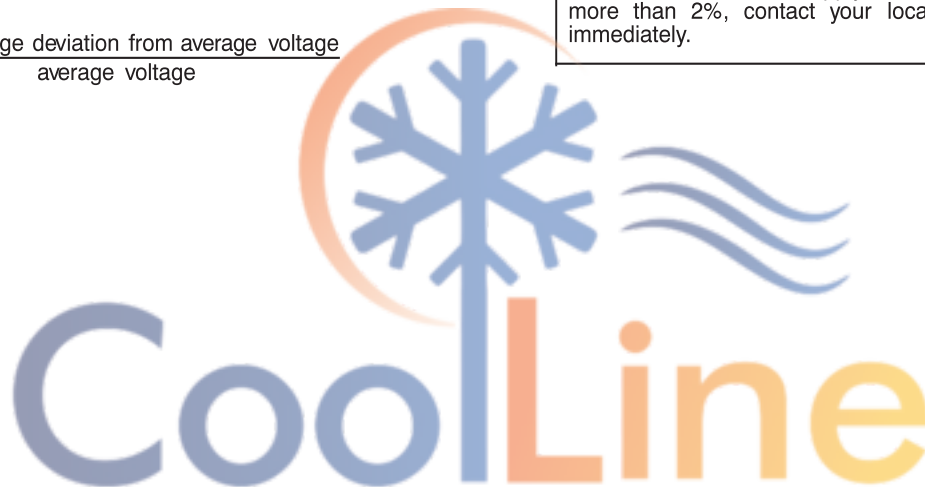
Maximum deviation is 2 v.

Determine percent of voltage imbalance

$$\begin{aligned} \% \text{ Voltage Imbalance} &= 100 \times \frac{2}{229} \\ &= 0.8\% \end{aligned}$$

This amount of phase imbalance is satisfactory as it is below the maximum allowable 2%.

**IMPORTANT:** If the supply voltage phase imbalance is more than 2%, contact your local electric utility company immediately.

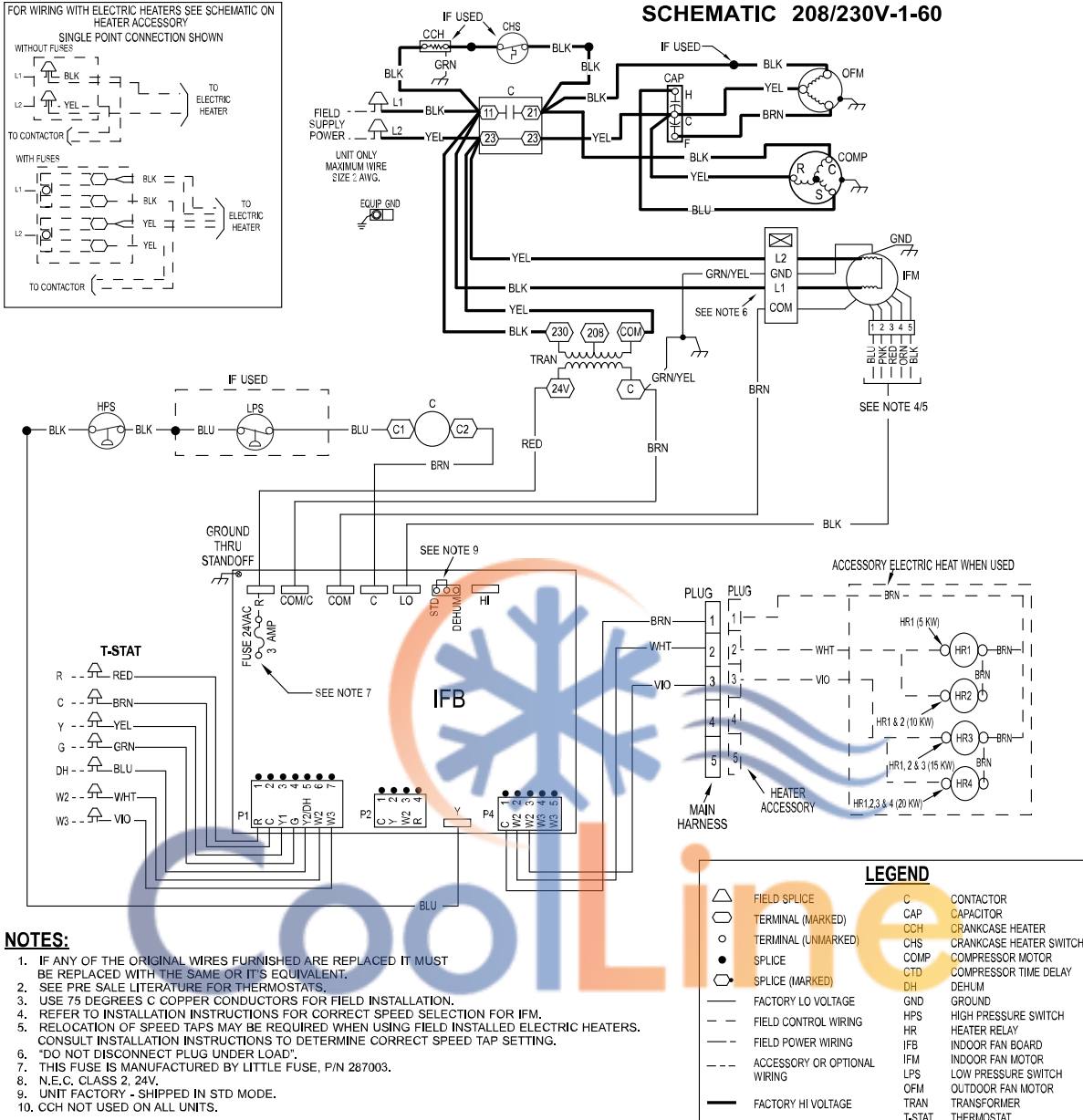


A06564

# Connection Wiring Schematic 208/230-1-60

## CONNECTION WIRING DIAGRAM DANGER: ELECTRICAL SHOCK HAZARD DISCONNECT POWER BEFORE SERVICING

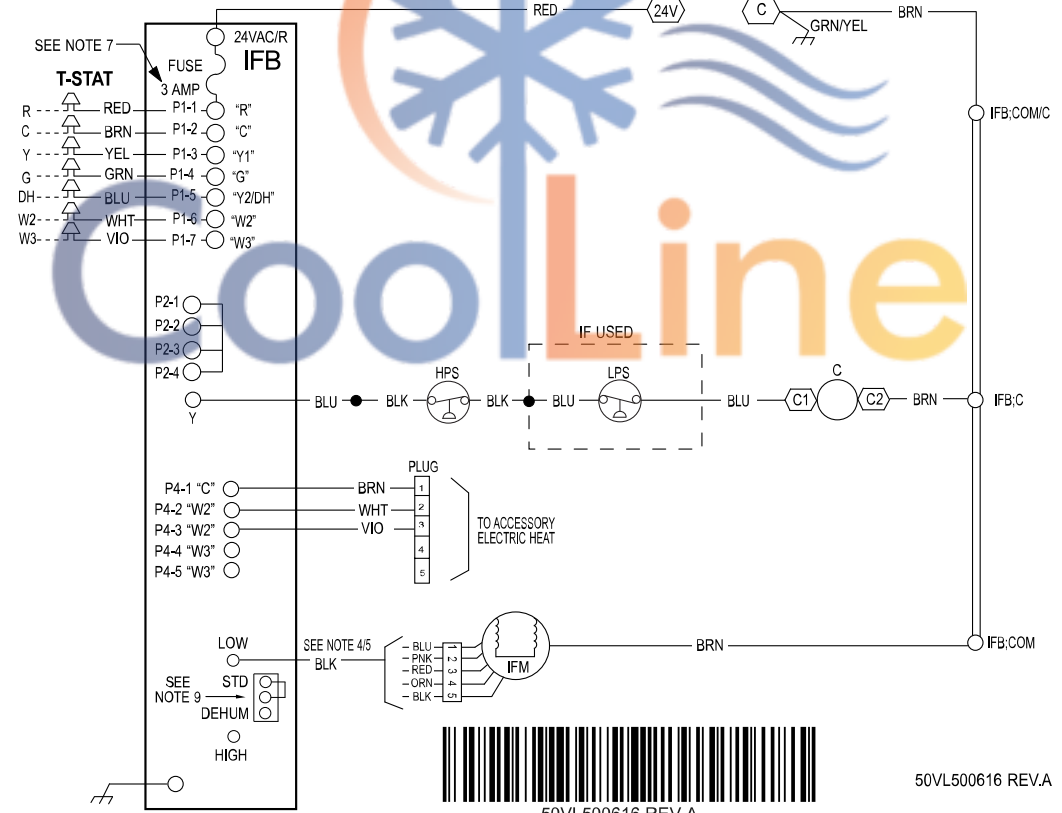
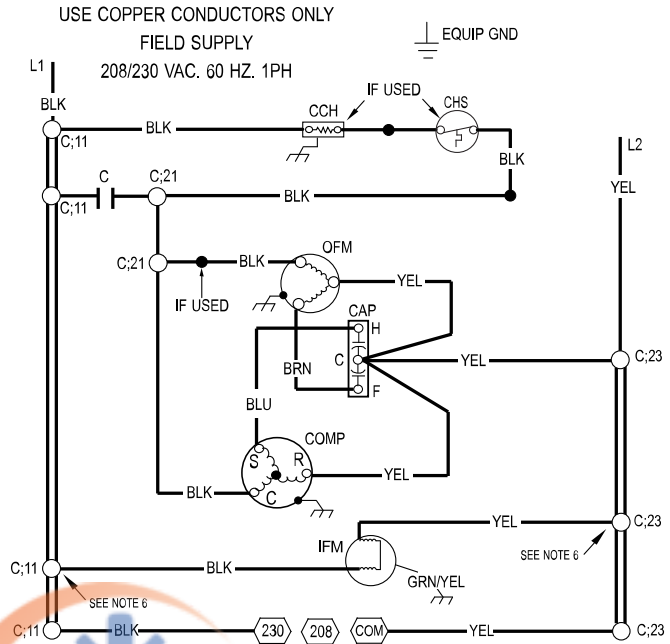
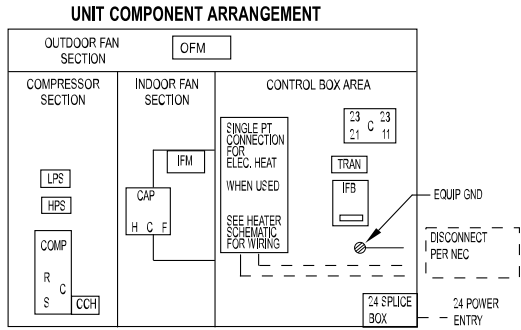
### SCHEMATIC 208/230V-1-60



# Ladder Wiring Schematic 208/230-1-60

## LADDER WIRING DIAGRAM

**DANGER: ELECTRICAL SHOCK HAZARD DISCONNECT POWER BEFORE SERVICING**



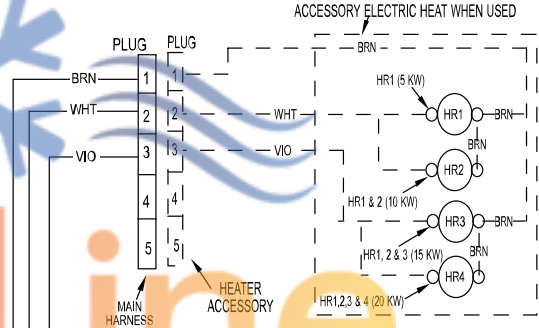
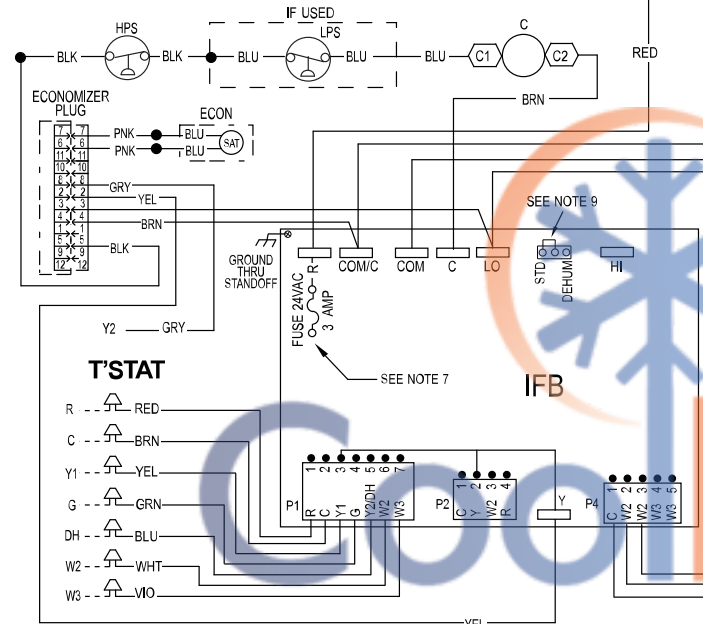
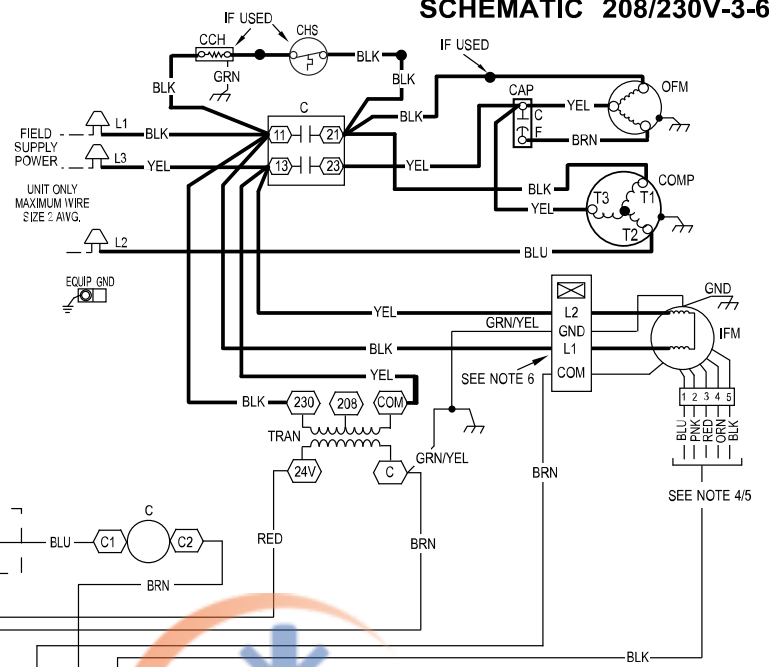
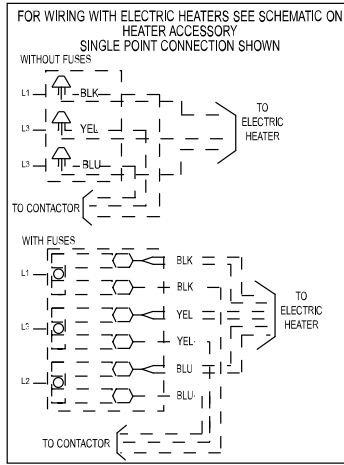
50VL500616 REV.A



# Connection Wiring Schematic 208/230-3-60

## CONNECTION WIRING DIAGRAM DANGER: ELECTRICAL SHOCK HAZARD DISCONNECT POWER BEFORE SERVICING

### SCHEMATIC 208/230V-3-60



**NOTES:**

- IF ANY OF THE ORIGINAL WIRES FURNISHED ARE REPLACED IT MUST BE REPLACED WITH THE SAME OR IT'S EQUIVALENT.
- SEE PRE SALE LITERATURE FOR THERMOSTATS.
- USE 75 DEGREES C COPPER CONDUCTORS FOR FIELD INSTALLATION.
- REFER TO INSTALLATION INSTRUCTIONS FOR CORRECT SPEED SELECTION FOR IFM.
- RELOCATION OF SPEED TAPS MAY BE REQUIRED WHEN USING FIELD INSTALLED ELECTRIC HEATERS. CONSULT INSTALLATION INSTRUCTIONS TO DETERMINE CORRECT SPEED TAP SETTING.
- "DO NOT DISCONNECT PLUG UNDER LOAD".
- THIS FUSE IS MANUFACTURED BY LITTLE FUSE, P/N 287003.
- N.E.C. CLASS 2, 24V.
- DEHUM FEATURE CANNOT BE USED WHEN ECONOMIZER IS INSTALLED.
- UNIT FACTORY - SHIPPED IN STD MODE.
- CCH NOT USED ON ALL UNITS.

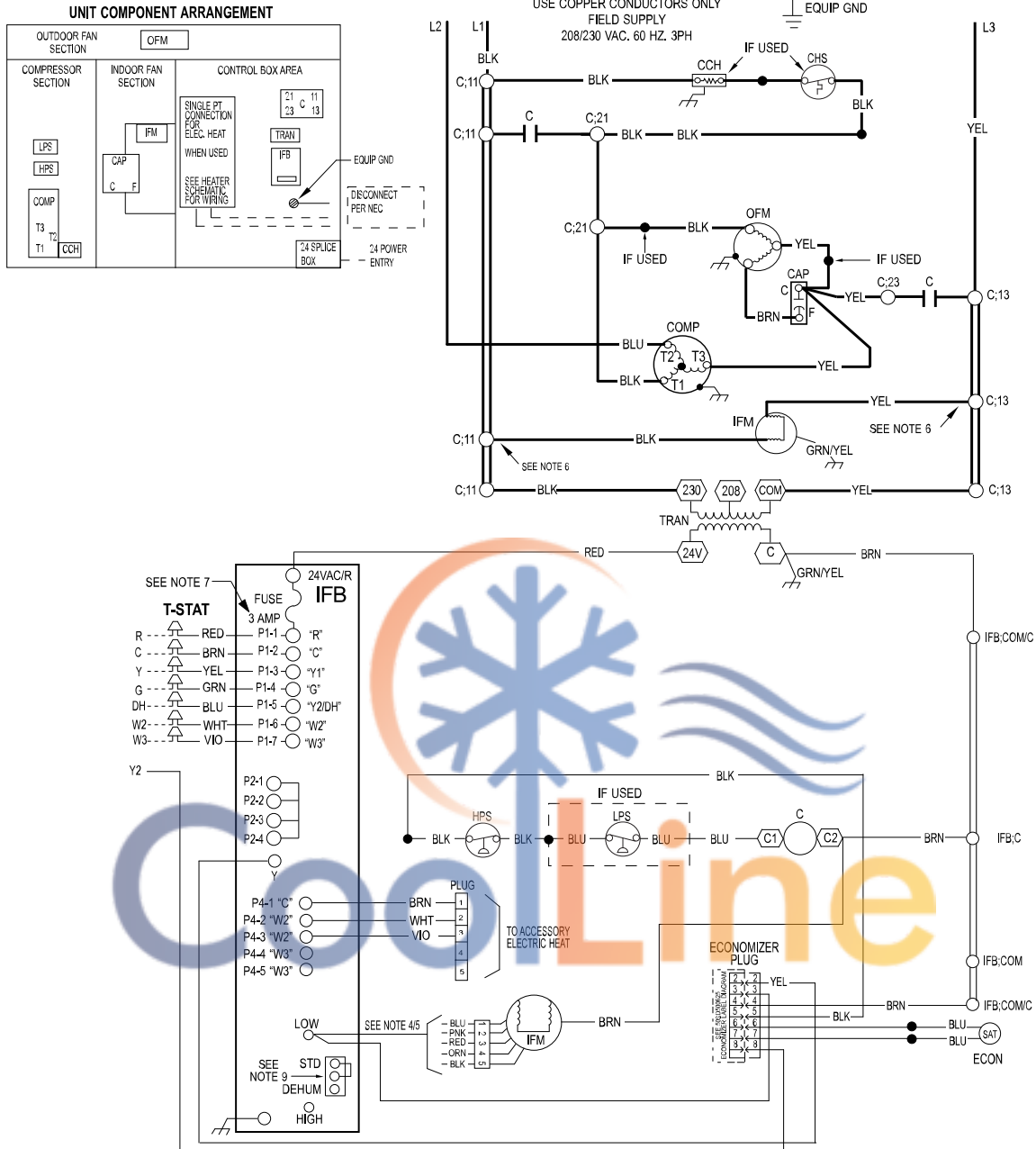
**LEGEND**

	FIELD SPLICE	CCH	CRANKCASE HEATER
	TERMINAL (MARKED)	CHS	CRANKCASE HEATER SWITCH
	TERMINAL (UNMARKED)	COMP	COMPRESSOR MOTOR
	SPLICE	CTD	COMPRESSOR TIME DELAY
	SPLICE (MARKED)	DH	DEHUMIDIFICATION MODE
	FACTORY LO VOLTAGE	DEHUM	DEHUMIDIFICATION MODE
	FIELD CONTROL WIRING	ECON	ECONOMIZER
	FIELD POWER WIRING	GND	GROUND
	ACCESSORY OR OPTIONAL WIRING	HPS	HIGH PRESSURE SWITCH
	FACTORY HI VOLTAGE	HR	HEATER RELAY
	CONTACTOR	IFB	INDOOR FAN BOARD
	CAPACITOR	IFM	INDOOR FAN MOTOR
		LPS	LOW PRESSURE SWITCH
		OFM	OUTDOOR FAN MOTOR
		STD	STANDARD MODE
		TRAN	TRANSFORMER
		T-STAT	THERMOSTAT

# Ladder Wiring Schematic 208/230-3-60

## LADDER WIRING DIAGRAM

**DANGER: ELECTRICAL SHOCK HAZARD DISCONNECT POWER BEFORE SERVICING**



50VL500617 REV.A



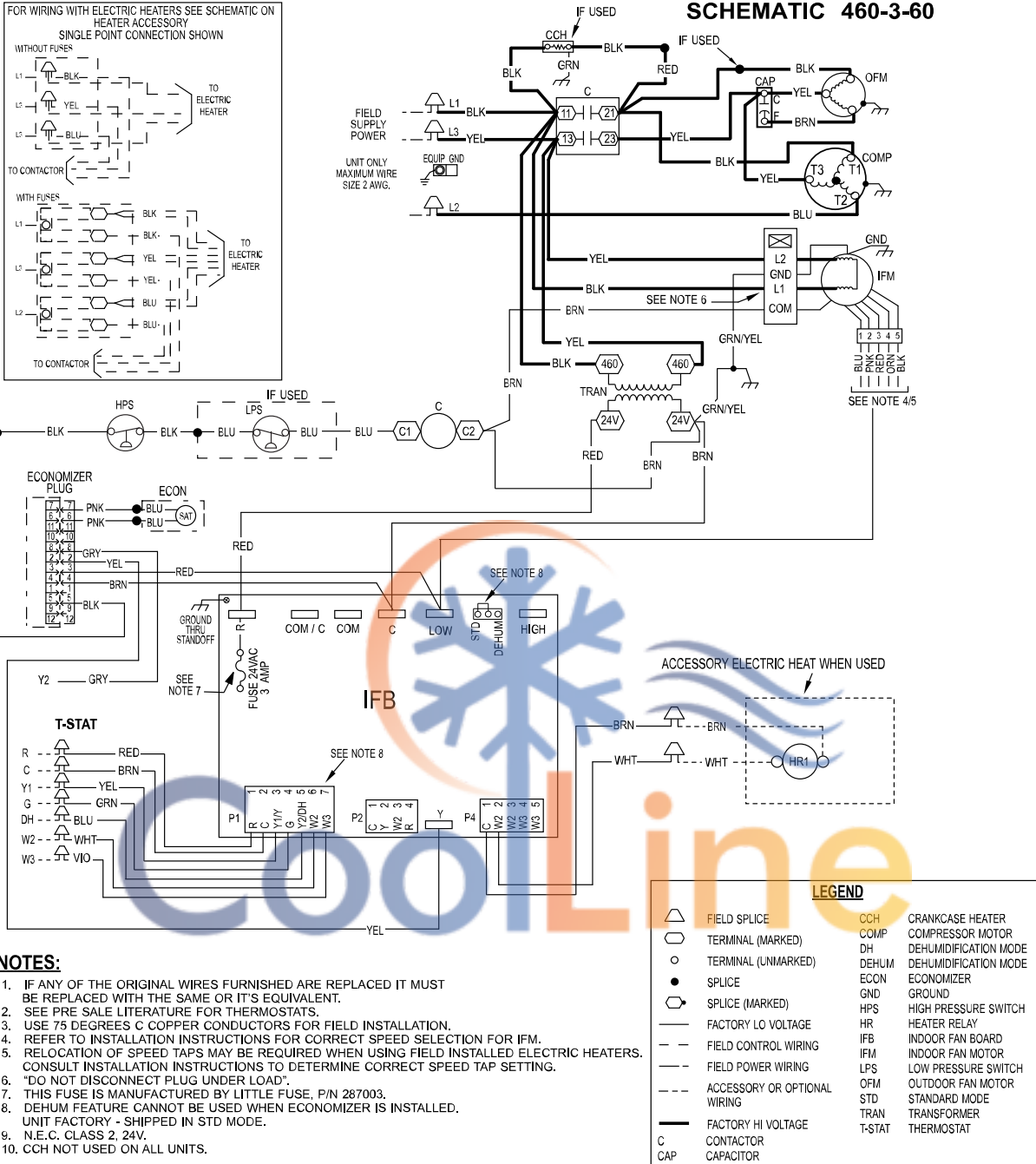
50VL500617 REV.A



# Connection Wiring Schematic 460-3-60

**CONNECTION WIRING DIAGRAM**  
**DANGER: ELECTRICAL SHOCK HAZARD DISCONNECT POWER BEFORE SERVICING**

**SCHEMATIC 460-3-60**



**NOTES:**

1. IF ANY OF THE ORIGINAL WIRES FURNISHED ARE REPLACED IT MUST BE REPLACED WITH THE SAME OR IT'S EQUIVALENT.
2. SEE PRE SALE LITERATURE FOR THERMOSTATS.
3. USE 75 DEGREES C COPPER CONDUCTORS FOR FIELD INSTALLATION.
4. REFER TO INSTALLATION INSTRUCTIONS FOR CORRECT SPEED SELECTION FOR IFM.
5. RELOCATION OF SPEED TAPS MAY BE REQUIRED WHEN USING FIELD INSTALLED ELECTRIC HEATERS. CONSULT INSTALLATION INSTRUCTIONS TO DETERMINE CORRECT SPEED TAP SETTING.
6. "DO NOT DISCONNECT PLUG UNDER LOAD".
7. THIS FUSE IS MANUFACTURED BY LITTLE FUSE, P/N 287003.
8. DEHUM FEATURE CANNOT BE USED WHEN ECONOMIZER IS INSTALLED. UNIT FACTORY - SHIPPED IN STD MODE.
9. N.E.C. CLASS 2, 24V.
10. CCH NOT USED ON ALL UNITS.

LEGEND			
	FIELD SPLICE	CCH	CRANKCASE HEATER
	TERMINAL (MARKED)	COMP	COMPRESSOR MOTOR
	TERMINAL (UNMARKED)	DH	DEHUMIDIFICATION MODE
	SPLICE	DEHUM	DEHUMIDIFICATION MODE
	SPLICE (MARKED)	ECON	ECONOMIZER
	FACTORY LO VOLTAGE	GND	GROUND
	FIELD CONTROL WIRING	HPS	HIGH PRESSURE SWITCH
	FIELD POWER WIRING	HR	HEATER RELAY
	ACCESSORY OR OPTIONAL WIRING	IFB	INDOOR FAN BOARD
	FACTORY HI VOLTAGE	IFM	INDOOR FAN MOTOR
	CONTACTOR	LPS	LOW PRESSURE SWITCH
	CAPACITOR	OFM	OUTDOOR FAN MOTOR
		STD	STANDARD MODE
		TRAN	TRANSFORMER
		T-STAT	THERMOSTAT



## Controls

### Operating Sequence

**Cooling** — When the system thermostat calls for cooling, 24 V is supplied to the “Y” and “G” terminals of the thermostat. This completes the circuit to the contactor coil (C) and indoor (evaporator) fan relay (IFR). The normally open contacts of energized C close and complete the circuit through compressor motor (COMP) to outdoor (condenser) fan motor (OFM). Both motors start instantly. The set of normally open contacts of energized IFR close and complete the circuit through IFM. The IFM starts instantly.

**NOTE:** On the loss of the thermostat call for cooling, 24 V is removed from both the “Y” and “G” terminals (provided the fan switch is in the “AUTO” position) de-energizing the compressor contactor and opening the contacts supplying power to compressor/OFM. After a 90-second delay, the IFM shuts off. If the thermostat fan selector switch is in the “ON” position, the IFM will run continuously. On units with a Time Guard<sup>®</sup> II device: Once the compressor has started and then stopped, it cannot be restarted again until 5 minutes have elapsed.

**Heating** — If accessory electric heaters are installed, on a call for heat, circuit R-W is made through the thermostat contacts. Circuit R-G is made which energizes the IFR. If the heaters are staged, then the thermostat closes a second set of contacts (W2) when second stage is required. When thermostat is satisfied, contacts open, deenergizing the heater relay and the IFR.



## Guide Specifications

### Packaged Air Conditioner System

### Constant Volume Application

### HVAC Guide Specifications

Size Range: 2 to 5 Tons, Nominal Cooling

## Part 1 — General

### SYSTEM DESCRIPTION

Outdoor rooftop mounted or ground mounted, electric cooling unit utilizing a hermetic scroll compressor for cooling duty. Unit shall discharge supply air vertically or horizontally as shown on contract drawings. Condenser fan/coil section shall have a draw-thru design with vertical discharge for minimum sound levels.

### QUALITY ASSURANCE

- Unit shall be rated in accordance with AHRI Standards 210/240 and 270-1995.
- Unit shall be designed in accordance with UL Standard 1995.
- Unit shall be manufactured in a facility registered to ISO 9001 manufacturing quality standard.
- Unit shall be UL listed and c-UL certified as a total package for safety requirements.
- Roof curb shall be designed to conform to NRCA Standards.
- Insulation and adhesives shall meet NFPA 90A requirements for flame spread and smoke generation.
- Cabinet insulation shall meet ASHRAE Standard 62P.

### DELIVERY, STORAGE AND HANDLING

Unit shall be stored and handled per manufacturer's recommendations.

## Part 2 — Products

### EQUIPMENT

#### General:

Factory-assembled, single-piece, heating and cooling unit. Contained within the enclosure shall be all factory wiring, piping, controls, refrigerant charge with R-410A refrigerant, and special features required prior to field start-up.

#### Unit Cabinet:

- Unit cabinet shall be constructed of phosphated, zinc-coated, pre-painted steel capable of with-standing 500 hours in salt spray.
- Normal service shall be through 3 removable cabinet panels.
- The unit shall be constructed on a rust proof unit base that has an externally trapped, integrated sloped drain.
- Evaporator fan compartment top surface shall be insulated with a minimum 1/2-in. (12.7 mm) thick, flexible fiberglass insulation, coated on the air side and retained by adhesive and mechanical means. The evaporator wall sections will be insulated with a minimum semi-rigid foil-faced board capable of being wiped clean. Aluminum foil-faced fiberglass insulation shall be used in the entire indoor air cavity section.
- Unit shall have a field-supplied condensate trap.

#### Fans:

- The evaporator fan shall be an ECM Motor.
- Fan wheel shall be made from steel, be double-inlet type with forward curved blades with corrosion resistant finish. Fan wheel shall be dynamically balanced.
- Condenser fan shall be direct drive propeller type with aluminum blades riveted to corrosion resistant steel spiders, be dynamically balanced, and discharge air vertically.

#### Compressor:

- Fully hermetic compressors with factory-installed vibration isolation.

#### Coils:

Indoor coils shall have aluminum plate fins mechanically bonded to seamless aluminum tubes with all joints brazed. Tube sheet openings shall be belled to prevent tube wear. Outdoor coil shall have aluminum fins with copper tubing.

#### Refrigerant Components:

Refrigerant expansion device shall be of the TXV (thermostatic expansion valve) or fixed orifice type.

#### Filters:

Filter section shall consist of field-installed, throwaway, 1-in. (25 mm) thick fiberglass filters of commercially available sizes.

#### Controls and Safeties:

- Unit controls shall be complete with a self-contained low voltage control circuit.
- Compressors shall incorporate a solid-state compressor protector that provides reset capability.

#### Operating Characteristics:

- Unit shall be capable of starting and running at 125°F (51°C) ambient outdoor temperature per maximum load criteria of AHRI Standard 210.
- Compressor with standard controls shall be capable of operation down to 40°F (4°C) ambient outdoor temperature.
- Units shall be provided with fan time delay to prevent cold air delivery before the heat exchanger warms up.
- Unit shall be provided with 60-second fan time delay after the thermostat is satisfied.

#### Electrical Requirements:

All unit power wiring shall enter the unit cabinet at a single location.

#### Motors:

- Compressor motors shall be of the refrigerant-cooled type with line-break thermal and current overload protection.
- All fan motors shall have permanently lubricated bearings, and inherent, automatic reset, thermal overload protection.

#### Special Features:

- Compressor Start Kit (single phase units only): Shall provide additional starting torque for single-phase compressors.
- Thermostat: To provide for one-stage heating and cooling in addition manual or automatic changeover and indoor fan control.
- Crankcase Heater: Shall provide anti-floodback protection for low-load cooling applications.
- Economizer: (Horizontal - Field installed accessory) (Vertical - Field installed accessory)
  - a. Economizer controls capable of providing free cooling using outside air.
  - b. Equipped with low leakage dampers not to exceed 3% leakage, at 1.0 IN. W.C. pressure differential.
  - c. Spring return motor shuts off outdoor damper on power failure.
- Electric Heaters:
  - a. Electric heater shall be available as a field-installed option.
  - b. Heater elements shall be open wire type, adequately supported and insulated with ceramic bushings.
  - c. Electric heater packages must provide single point power connection capability.

## Guide Specifications (Continued)

- Filter Rack Kit:  
Shall provide filter mounting for downflow applications. Offered as a field installed accessory.
- Flat Roof Curb:  
Curbs shall have seal strip and a wood nailer for flashing and shall be installed per manufacturer's instructions.
- Low Ambient Package:  
Shall consist of a solid-state control and condenser coil temperature sensor for controlling condenser-fan motor operation, which shall allow unit to operate down to 0°F (-17.7°C) outdoor ambient temperature when properly installed.
- Manual Outdoor Air Damper:  
Package shall consist of damper, birdscreen, and rainhood which can be preset to admit outdoor air for year-round ventilation.
- Square-To-Round Duct Transitions (24-48 size):  
Shall have the ability to convert the supply and return openings from rectangular to round.
- Time Guard II  
Automatically prevents the compressor from restarting for at least 4 minutes and 45 seconds after shutdown of the compressor. Not required when a corporate programmable thermostat is applied or with a RTU-MP control. Offered as a field installed accessory.
- Dual Point Electric Heaters  
Allows you to power the electric heater and unit contactor separately by having two individual field power supply circuits connected respectively.
- Cabinet air leakage of 2.0% or less at .5 in. W.C. when tested in accordance with ASHRAE standard 193. Available as a factory installed option.
- Louver Metal Outdoor Coil Grille  
Shall provide hail and vandalism protection.
- Low Pressure Switch  
Kit is designed for use when a low pressure control is desired. This kit provides added reliability for the compressor. Offered as a field installed accessory.

